

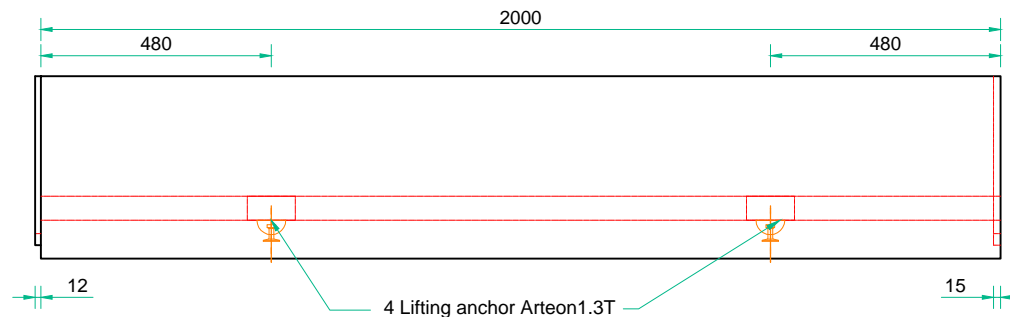
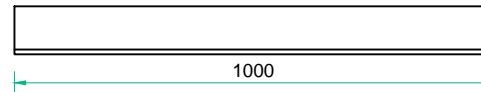
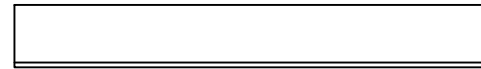
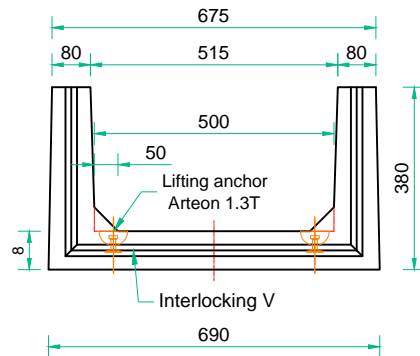
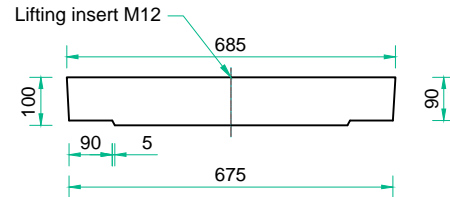
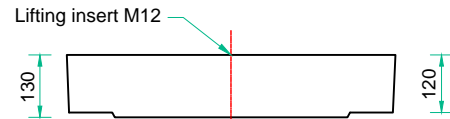
DO NOT SCALE

COPY RIGHT
AND
DESIGN RIGHT

THIS DRG IS THE EXCLUSIVE PROPERTY OF STANTON BONNA CONCRETE LTD. AND IS CONFIDENTIAL AND MUST NOT BE REPRODUCED OR DISCLOSED TO A THIRD PARTY WITHOUT WRITTEN CONSENT. IT MUST BE USED ONLY FOR THE PURPOSE FOR WHICH IT HAS BEEN ISSUED AND IS RETURNABLE ON REQUEST

MACHINING SYMBOLS

| | ISO | Ra |
|----------------|-----|-------|
| ROUGH MACHINE | N10 | 12.5µ |
| MEDIUM MACHINE | N8 | 3.2µ |
| FINE MACHINE | N6 | 0.8µ |
| GRIND MACHINE | N5 | 0.4µ |



Stanton Bonna

TITLE

TRough with LID
size 500 Wide x 300 Deep
B-S Ref 233

STANTON BONNA CONCRETE LTD.
Littlewell Lane, Stanton-by-Dale,
Ilkeston, Derbyshire. DE7 4QW
TEL: 0115 944 1448 FAX: 0115 944 1466

| | |
|-------|------------|
| SCALE | HMM |
| DRAWN | M MANNERS |
| DATE | 26/05/2015 |

DRG. No. CDO/ C / 2751

| | |
|---------|---|
| REV No. | A |
|---------|---|

Trough Weight - 540kg per unit
Standard Lid Weight - 172kg each.
Heavy duty Lid Weight - 203kg each
Troughs Designed and manufactured to BS EN 1433,
Load Classification D400, - Heavy Duty Lids to
withstand Wheel Loads not exceeding 11 tonne.

Please Note - A Rubber or Foam Conformance layer between trough and covers are recommended where units are subject to Heavy Vehicular Loads.

THIS DRAWING WAS PRODUCED USING AUTOCAD AND SHOULD ON NO ACCOUNT BE AMENDED BY HAND

| REV | DATE | ZONE | ALTD | CKD | APPD | ALTERATIONS | REV | DATE | ZONE | ALTD | CKD | APPD | ALTERATIONS |
|-----|------|------|------|-----|------|-------------|-----|------|------|------|-----|------|---------------|
| | | | | | | | 00 | | | | | | INITIAL ISSUE |
| | | | | | | | | | | | | | ALTERATIONS |