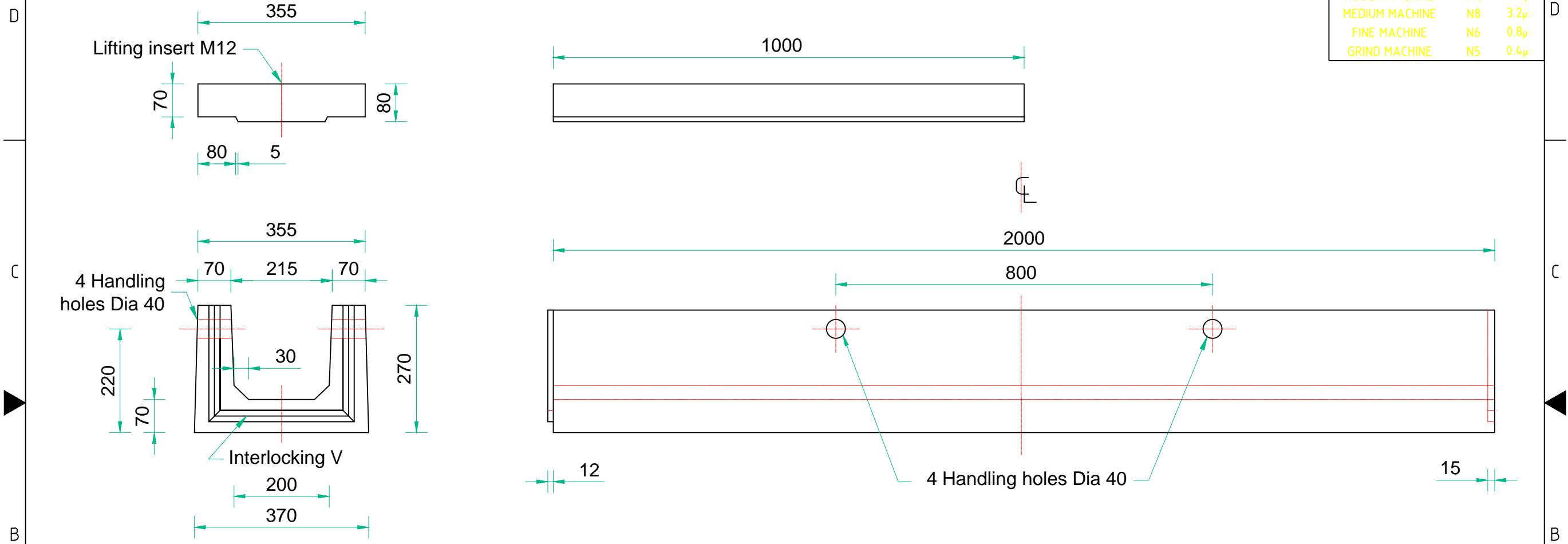


DO NOT SCALE

COPY RIGHT AND DESIGN RIGHT
 THIS DRG IS THE EXCLUSIVE PROPERTY OF STANTON BONNA CONCRETE LTD. AND IS CONFIDENTIAL AND MUST NOT BE REPRODUCED OR DISCLOSED TO A THIRD PARTY WITHOUT WRITTEN CONSENT. IT MUST BE USED ONLY FOR THE PURPOSE FOR WHICH IT HAS BEEN ISSUED AND IS RETURNABLE ON REQUEST

MACHINING SYMBOLS		
	ISO	Ra
ROUGH MACHINE	N10	12.5µm
MEDIUM MACHINE	N8	3.2µm
FINE MACHINE	N6	0.8µm
GRIND MACHINE	N5	0.4µm



Trough Weight - 264kg per unit
 Standard Lid Weight - 66kg each.
 Heavy duty Lid Weight - 66kg each
 Troughs Designed and manufactured to BS EN 1433,
 Load Classification D4.00, - Heavy Duty Lids to
 withstand Wheel Loads not exceeding 11 tonne.

Please Note - A Rubber or Foam Conformance layer between trough and covers are recommended where units are subject to Heavy Vehicular Loads.

THIS DRAWING WAS PRODUCED USING AUTOCAD AND SHOULD ON NO ACCOUNT BE AMENDED BY HAND

Stanton Bonna
 TITLE

TROUGH with LID
 size 200 Wide x 200 Deep
 B-S Ref 246

STANTON BONNA CONCRETE LTD. Littlewell Lane, Stanton-by-Dale, Ilkeston, Derbyshire. DE7 4QW TEL: 0115 944 1448 FAX: 0115 944 1466	SCALE	HMM
	DRAWN	M MANNERS
	DATE	26/05/2015
DRG. No. CDO/ C / 2751	REV No.	A

REV	DATE	ZONE	ALTD	CKD	APPD	ALTERATIONS	REV	DATE	ZONE	ALTD	CKD	APPD	ALTERATIONS
							00						INITIAL ISSUE
													ALTERATIONS