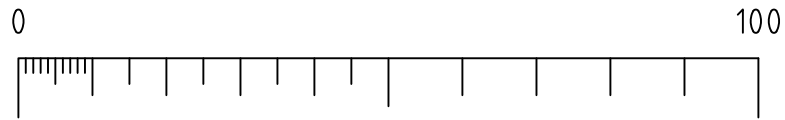


DO NOT SCALE



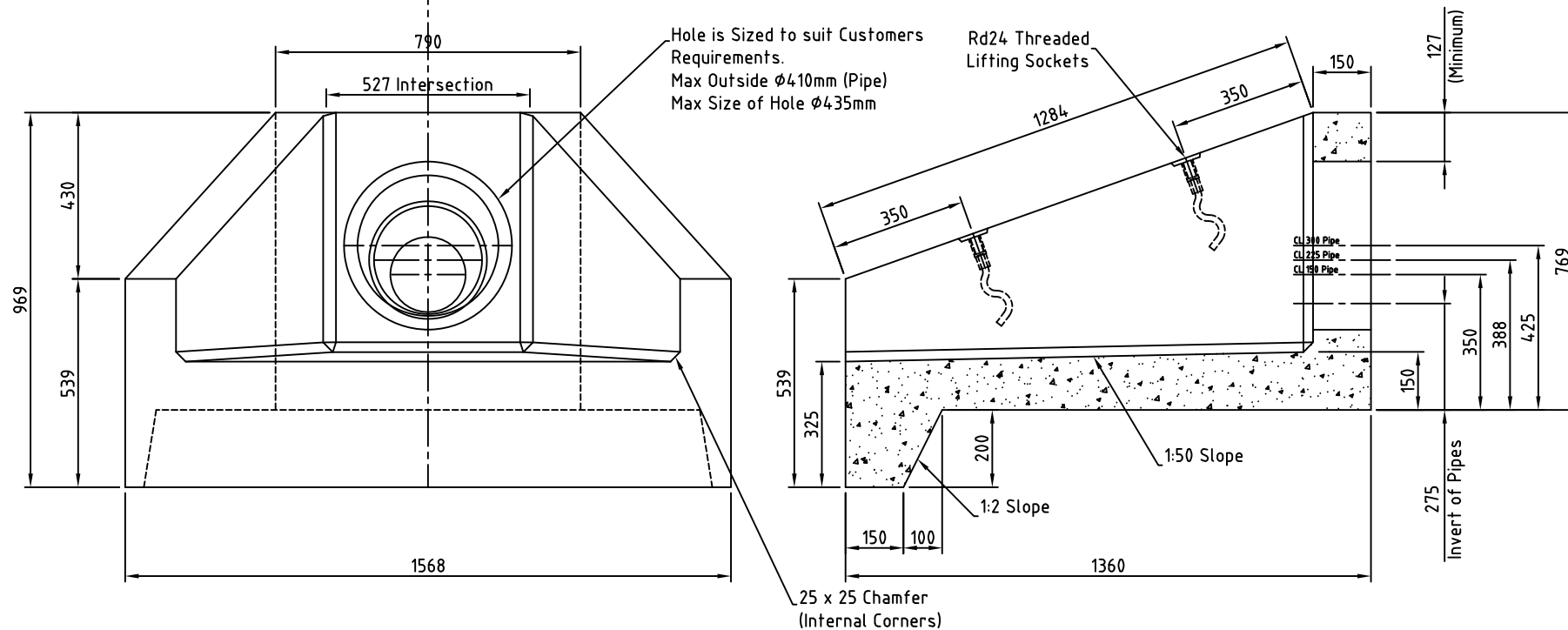
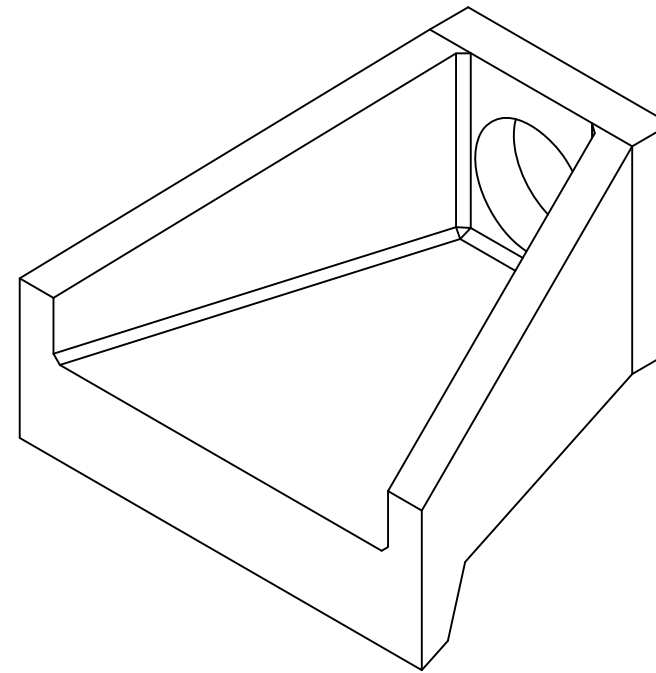
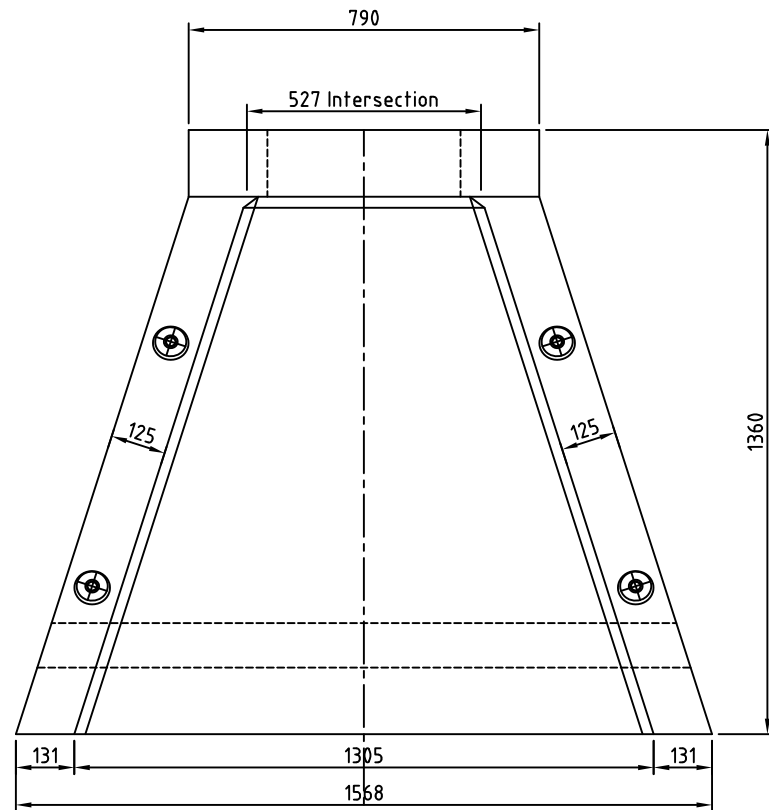
Approximate Hole Sizes to Pipes
 DN150 Pipe - ϕ 195mm
 DN225 Pipe - ϕ 280mm & ϕ 305mm
 DN300 Pipe - ϕ 365mm & ϕ 435mm

COPY RIGHT
 AND
 DESIGN RIGHT

THIS DRG IS THE EXCLUSIVE PROPERTY OF STANTON BONNA CONCRETE LTD. AND IS CONFIDENTIAL AND MUST NOT BE REPRODUCED OR DISCLOSED TO A THIRD PARTY WITHOUT WRITTEN CONSENT. IT MUST BE USED ONLY FOR THE PURPOSE FOR WHICH IT HAS BEEN ISSUED AND IS RETURNABLE ON REQUEST

NOTES:-

- 1, Cylindrical opening in rear wall cast to suit outside diameter of chosen pipe.
- 2, Headwall to be used with pipe outer diameter NOT exceeding ϕ 410mm, (typically suitable for 150 to 300mm Concrete Pipes)
- 3, Approximate Weight = 1390kg
- 4, Concrete C40/50 DC4 (BRE SD1) (Delta ALT Mix)
- 5, Minimum Cover 40mm
- 6, Dimension Tolerances as per BS 8110
- 7, Design: Stanton Bonna are the Product Designers.
The suitability of the Product for Projects (eg Stability and Support Conditions). Must be checked by the Project Engineer.
- 8, As a minimum units should be bedded on 100mm thickness of lean-mix concrete (GEN1)
- 9, Suitably rated four-legged lifting chain set must be used, The included angle at the Master Link must be less than 30°. The Minimum leg length must be 1300mm
Lifting Speed for \approx 90m/s has been assumed.
- 10, Refer to PD81 for Installation Instructions.



Stanton Bonna

TITLE

Small Precast Concrete Headwall
 for DN150 to DN300 Pipes

STANTON BONNA CONCRETE LTD.
 Littlewell Lane, Stanton-by-Dale,
 Ilkeston, Derbyshire. DE7 4QW
 TEL: 0115 944 1448 FAX: 0115 944 1466

SCALE	
DRAWN	N.A. Baxter
DATE	05/11/2014

DRG. No. CDO/ D / 1505

REV No. 6

THIS DRAWING WAS PRODUCED USING AUTOCAD AND SHOULD ON NO ACCOUNT BE AMENDED BY HAND