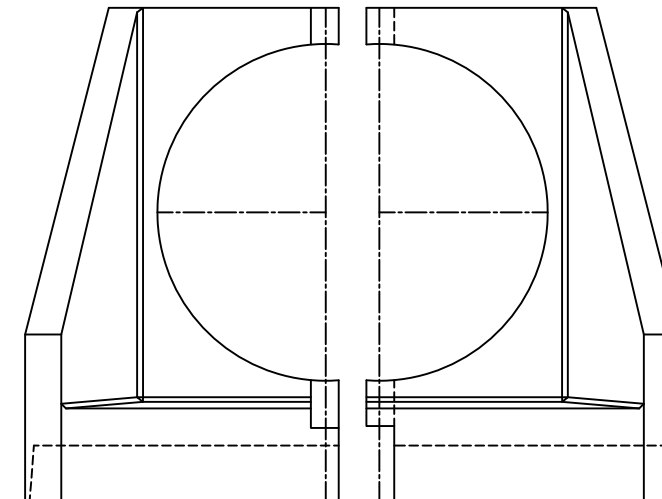
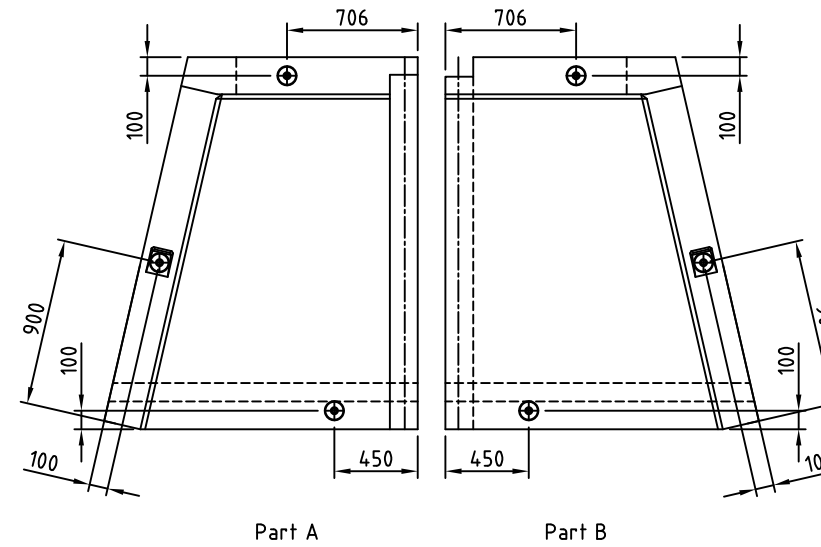
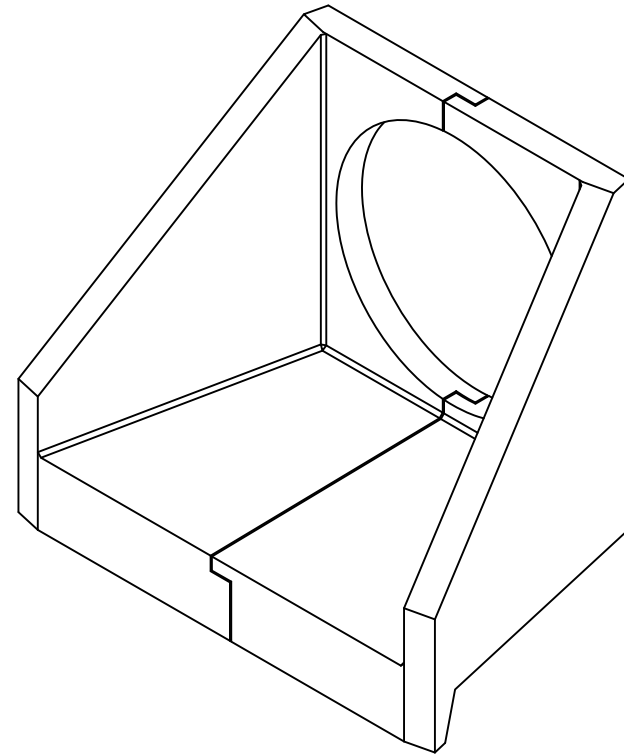
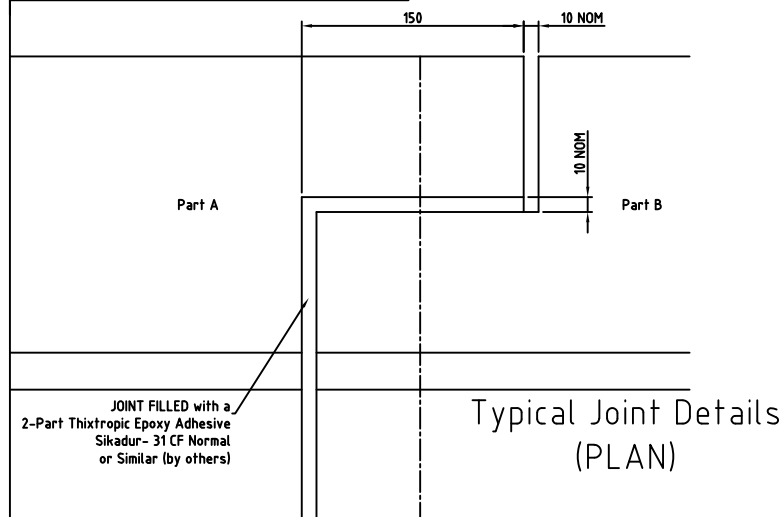


DO NOT SCALE

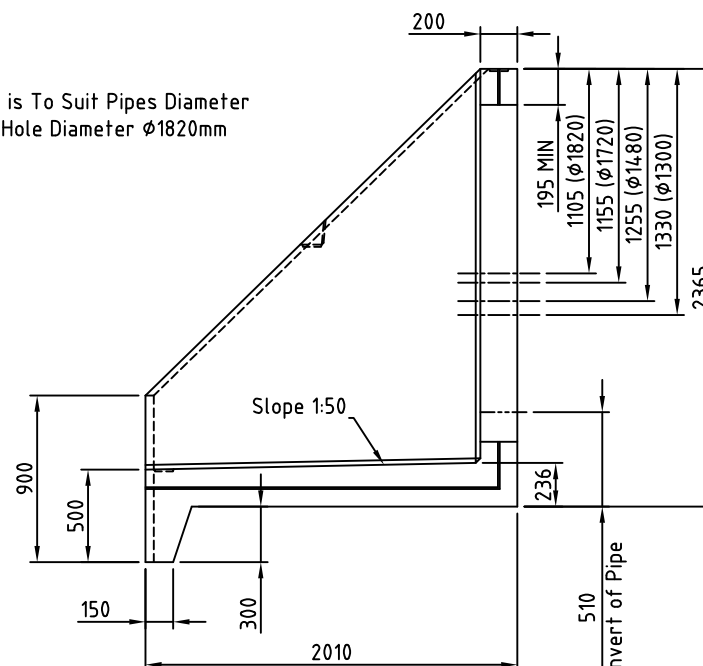
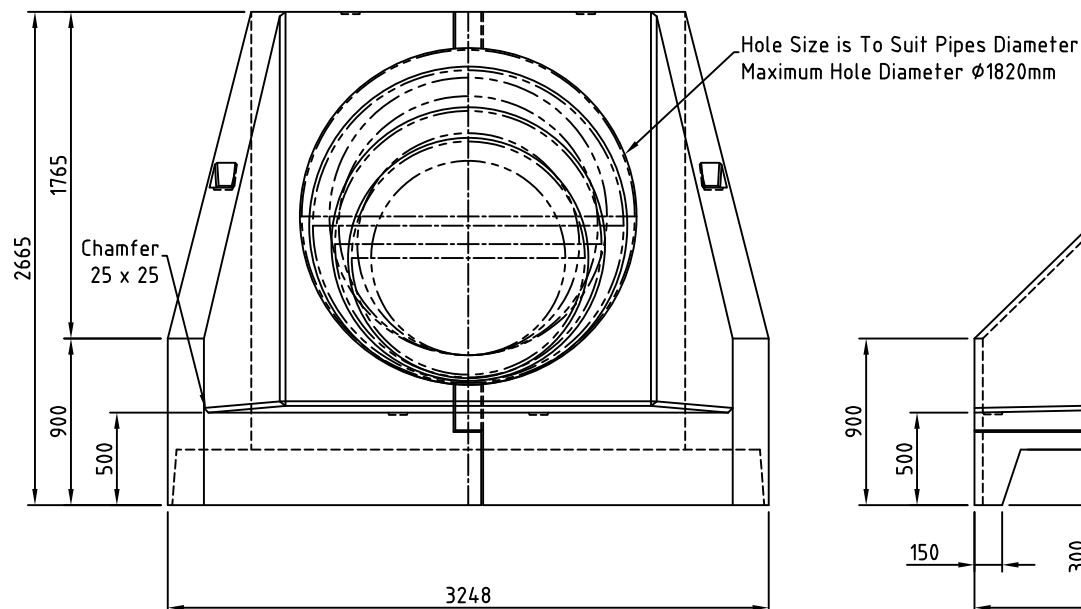
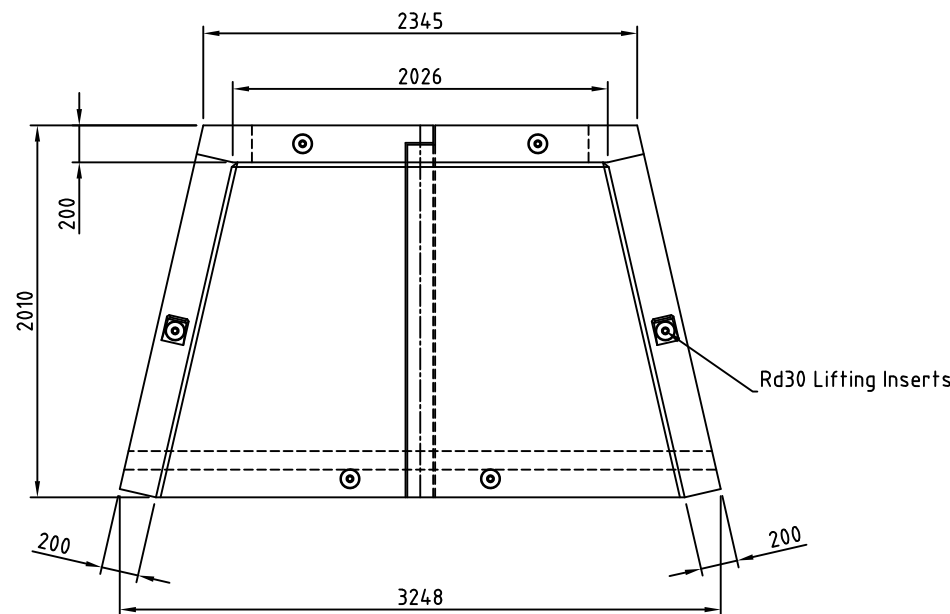
COPY RIGHT AND DESIGN RIGHT

THIS DRG IS THE EXCLUSIVE PROPERTY OF STANTON BONNA CONCRETE LTD. AND IS CONFIDENTIAL AND MUST NOT BE REPRODUCED OR DISCLOSED TO A THIRD PARTY WITHOUT WRITTEN CONSENT. IT MUST BE USED ONLY FOR THE PURPOSE FOR WHICH IT HAS BEEN ISSUED AND IS RETURNABLE ON REQUEST



NOTES:

- 1, Cylindrical Opening in Rear Wall cast to suit Outside Diameter of Chosen Pipe.
- 2, Headwall to be used with Pipe outer diameter NOT EXCEEDING $\phi 1820$ mm. (Typically suitable for DN1050 to DN1500mm Concrete Pipes)
- 3, Approximate Weight $\approx 3,910$ kg per Half
- 4, Concrete C40/50 DC4 (BRE SD1)
- 5, Nominal Concrete Cover to Reinforcement = 40mm
- 6, Dimensional Tolerances as per BS EN 13365 or BS 8110 as appropriate
- 7, Design:
Stanton Bonna are the Product Designer. The Suitability of the Product for the Project (Stability and Support Conditions for Example). Must be checked by the Project Engineer.
as a minimum units should be bedded on 100mm thickness of lean mix-concrete (GEN1)
- 8, Suitably Rated Three-Legged Lifting Chain Set, Must be used.
The Chain Angle from the Axis of the Lifter must be less than 30° .
As a guide the Minimum Leg length must be 1850mm the Lifting Supervisor must check.
Lifting Speed of < 90 m/s has been assumed



Pipe Size	Pipe O/D	Hole Size
DN1050	$\phi 1260$	$\phi 1300$
DN1200	$\phi 1440$	$\phi 1480$
DN1400	$\phi 1680$	$\phi 1720$
DN1500	$\phi 1800$	$\phi 1820$

StantonBonna

TITLE

Details of Extra Large Headwall
for Pipe Outer Diameter up to $\phi 1800$ mm
(to suit DN1050 to DN1500 Concrete Pipes)

STANTON BONNA CONCRETE LTD.
Littlewell Lane, Stanton-by-Dale,
Ilkeston, Derbyshire. DE7 4QW
TEL: 0115 944 1448 FAX: 0115 944 1466

SCALE	
DRAWN	N.A. Baxter
DATE	22/12/2015

DRG. No. CDO/ D / 1516

REV No. 4

THIS DRAWING WAS PRODUCED USING AUTOCAD AND SHOULD ON NO ACCOUNT BE AMENDED BY HAND