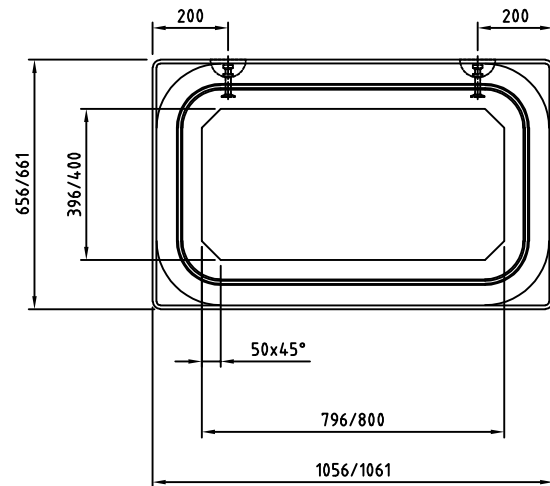
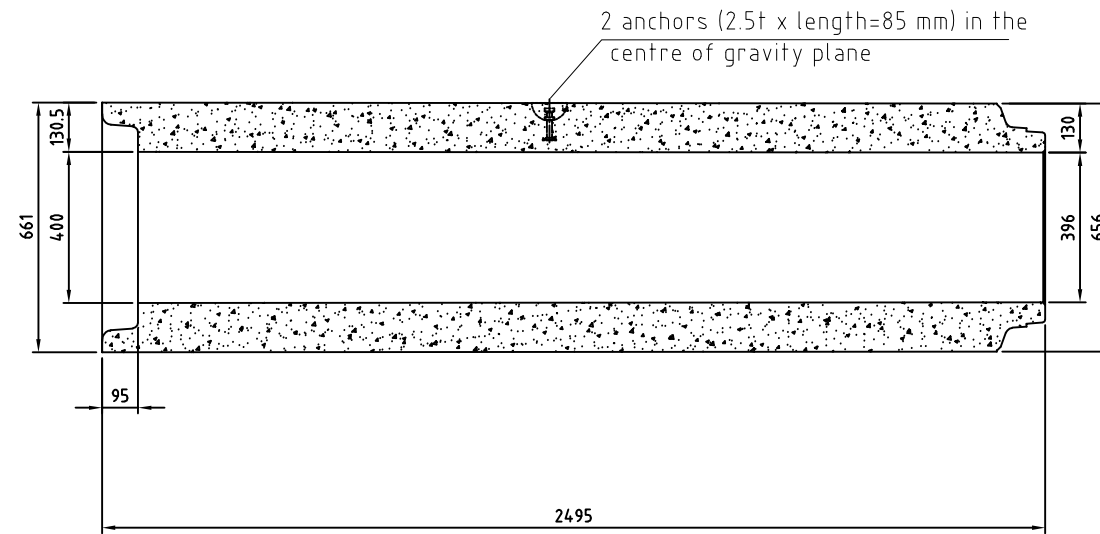


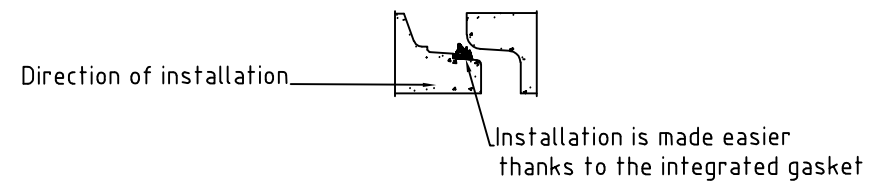
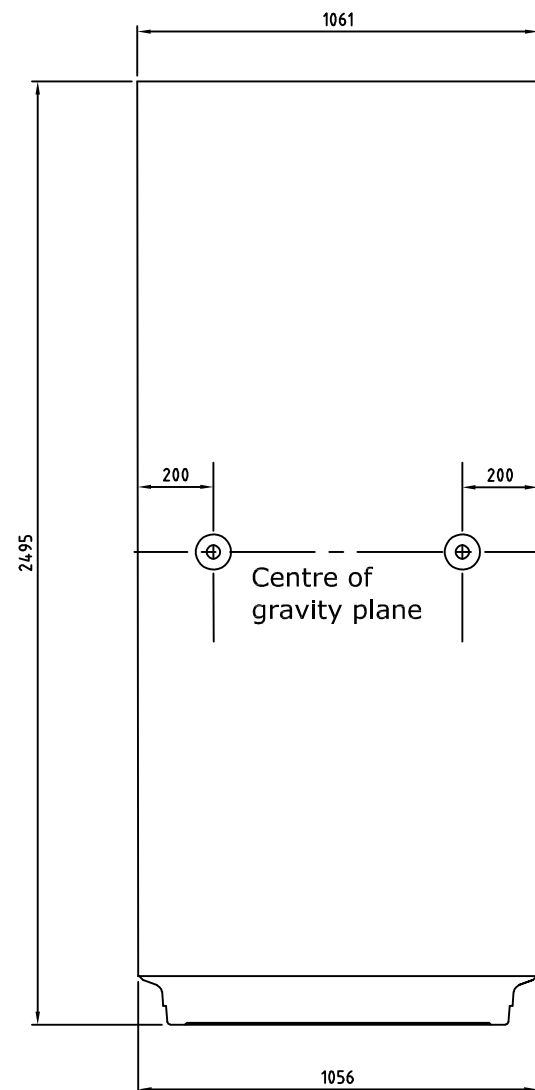
Socket view



Longitudinal section



Top view



CUSTOMER APPROVAL

APPROVED

DATE

QUOTATION No.

ORDER No.

NOTE :-

1. Products concrete class and durability specifications are detailed in the quotation or the calculation note. Please advise if necessary.
2. Products design loading is detailed in the quotation or the calculation note. Please advise if necessary.
3. Angle of Chain at Lifter <math>< 30^\circ</math> from Vertical, unit to be lifted using a Static Crane. For more details, refer to the installation instructions PD90.
4. Position of the lifting points might be slightly adjusted to suit the reinforcement
5. Approximate UNIT WEIGHT = 2.26t

DESCRIPTION

COMPACT CULVERT  
800 x 400

**StantonBonna**

DRAWN NC

DATE 20/07/2016

CHKD

DWG No. FBCU0003-Rev.A