

# Dimensional Data for Cover Slabs

PD 49 rev G

28/04/2016

The following table shows the range of cover slabs that are 'CE marked' and or 'Kite-marked' in accordance with the European and British Standards BS EN 1917 and BS 5911-3.

Shaft or chamber nominal size	Opening Size mm	Configuration Location	BS Reference
900	600 x 600	Central	BS EN 1917 & BS 5911-3
900	675 x 675	Central	BS EN 1917 & BS 5911-3
1050	600 x 600	Eccentric	BS EN 1917 & BS 5911-3
1050	675 x 675	Eccentric	BS EN 1917 & BS 5911-3
1050	750 x 750	Central	BS EN 1917 & BS 5911-3
1200	600 X 600	Eccentric	BS EN 1917 & BS 5911-3
1200	675 x 675	Eccentric	BS EN 1917 & BS 5911-3
1200	750 x 600	Eccentric	BS EN 1917 & BS 5911-3
1350	600 x 600	Eccentric	BS 5911-3
1350	675 x 675	Eccentric	BS 5911-3
1350	750 x 600	Eccentric	BS 5911-3
1350	1200 x 675	Central	BS 5911-3
1500	600 x 600	Eccentric	BS 5911-3
1500	675 x 675	Eccentric	BS 5911-3
1500	750 x 600	Eccentric	BS 5911-3
1500	1200 x 675	Central	BS 5911-3
1800, 2100, 2400, 2700 & 3000	600 x 600	Eccentric	BS 5911-3
1800, 2100, 2400, 2700 & 3000	675 x 675	Eccentric	BS 5911-3
1800, 2100, 2400, 2700 & 3000	750 x 600	Eccentric	BS 5911-3
1800, 2100, 2400, 2700 & 3000	1200 x 675	Eccentric	BS 5911-3

## BASIC COVERSLAB DIMENSIONS

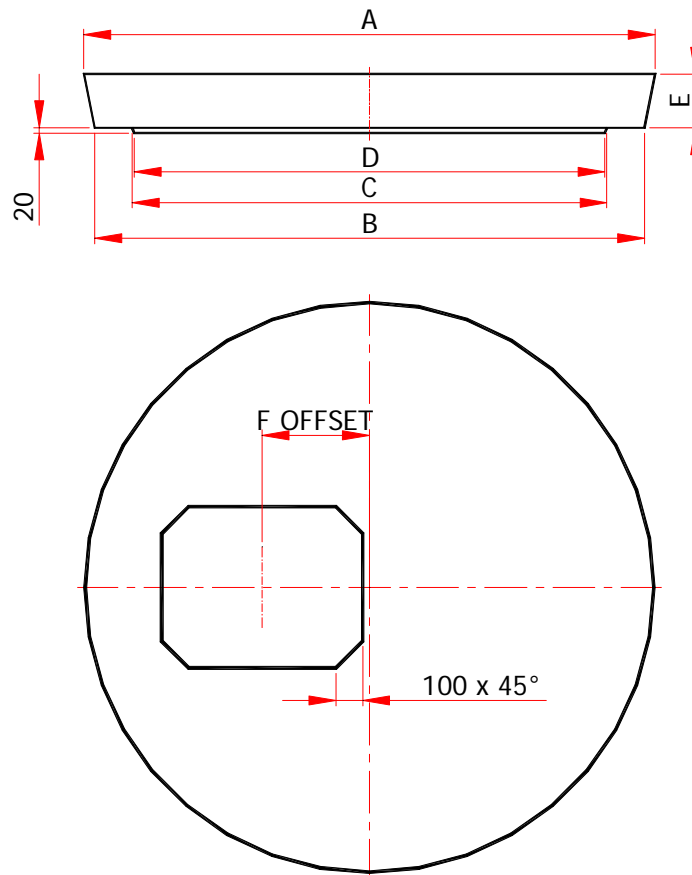


Fig 1

DN	A	B	C	D	E
900	1188	1090	875	860	135
1050	1358	1260	1025	1010	135
1200	1538	1440	1170	1155	135
1350	1607	1550	1320	1305	160
1500	1789	1732	1470	1455	160
1800	2130	2050	1770	1755	200
2100	2450	2382	2065	2050	200
2400	2780	2712	2365	2350	200
2700	3120	3052	2664	2650	200
3000	3450	3392	2964	2950	200

## COVERSLABS WITH 750 X 600 OPENINGS

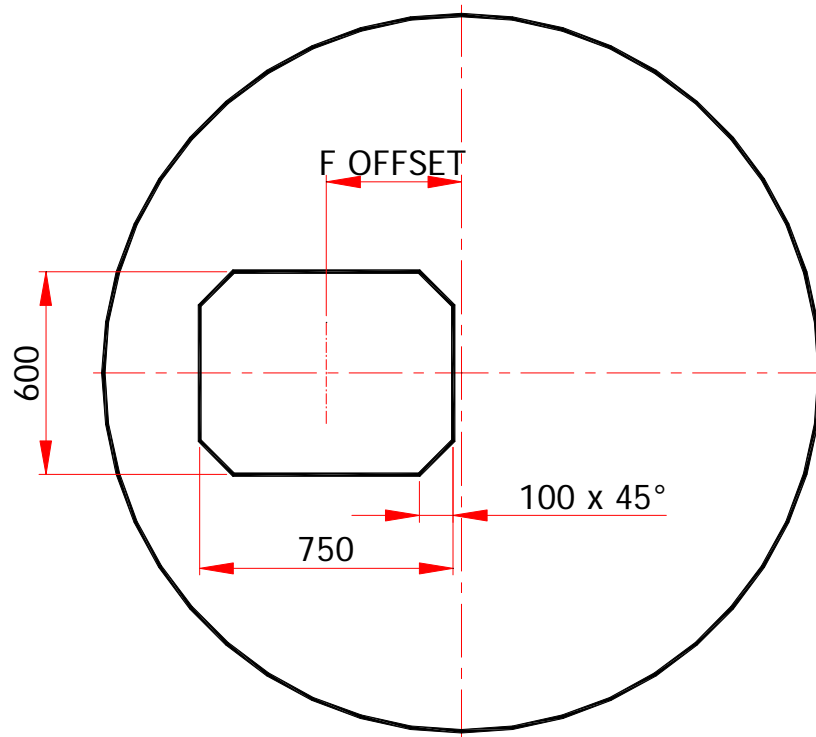


Fig 2

750 X 600 OPENING			
DN	F OFFSET	Kite- Mark	CE-Mark
1050	CENTRAL	x	✓
1200	75	✓	✓
1350	150	✓	x
1500	225	✓	x
1800	375	✓	x
2100	525	✓	x
2400	675	✓	x
2700	825	✓	x
3000	975	✓	x

NOTE: ALL OTHER DIMENSIONS ARE AS PAGE 3

**COVERSLABS WITH 1200 X 675 OPENINGS**

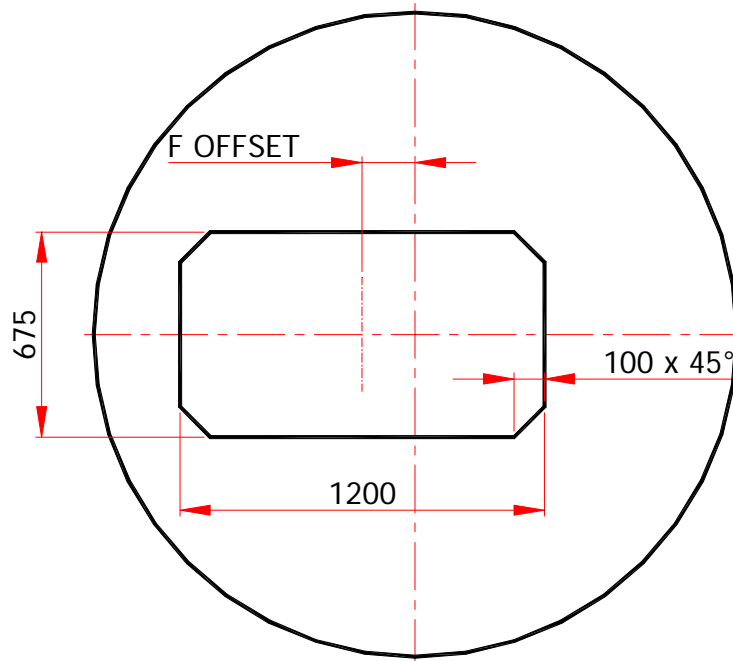


Fig 3

1200 X 675 OPENING			
DN	F OFFSET	Kite-Mark	CE-Mark
1350	CENTRAL	✓	✗
1500	CENTRAL	✓	✗
1800	150	✓	✗
2100	300	✓	✗
2400	450	✓	✗
2700	600	✓	✗
3000	750	✓	✗

NOTE: ALL OTHER DIMENSIONS ARE AS PAGE 3

## COVERSLABS WITH 600 AND 675 SQ OPENINGS

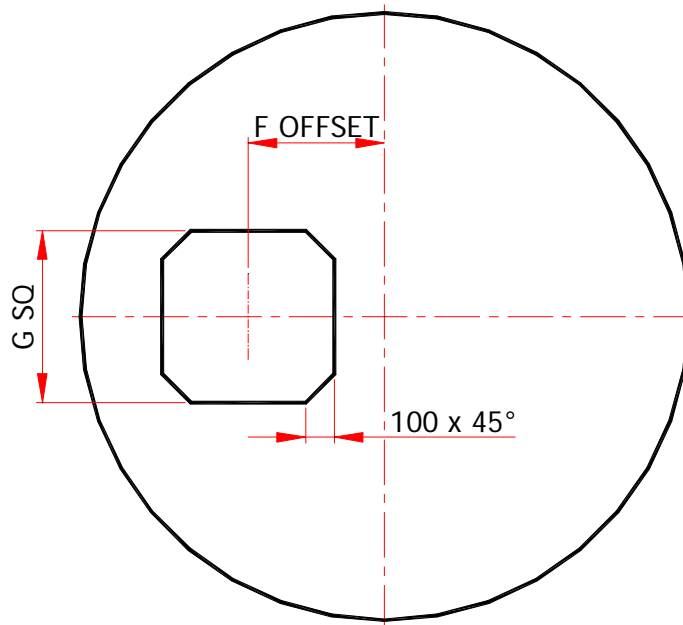


Fig 4

600 SQ OPENING					675 SQ OPENING				
DN	F OFFSET	G	Kite-Mark	CE-Mark	DN	F OFFSET	G	Kite-Mark	CE-Mark
900	CENTRAL	600	✓	✓	900	CENTRAL	675	✓	✓
1050	75	600	✓	✓	1050	37.5	675	✓	✓
1200	150	600	✓	✓	1200	112.5	675	✓	✓
1350	225	600	✓	✗	1350	187.5	675	✓	✗
1500	300	600	✓	✗	1500	262.5	675	✓	✗
1800	450	600	✓	✗	1800	412.5	675	✓	✗
2100	600	600	✓	✗	2100	562.5	675	✓	✗
2400	750	600	✓	✗	2400	712.5	675	✓	✗
2700	900	600	✓	✗	2700	862.5	675	✓	✗
3000	1050	600	✓	✗	3000	1012.5	675	✓	✗

NOTE: ALL OTHER DIMENSIONS ARE AS PAGE 3

## COVERSLABS WITH 750 SQ AND 900 SQ OPENINGS

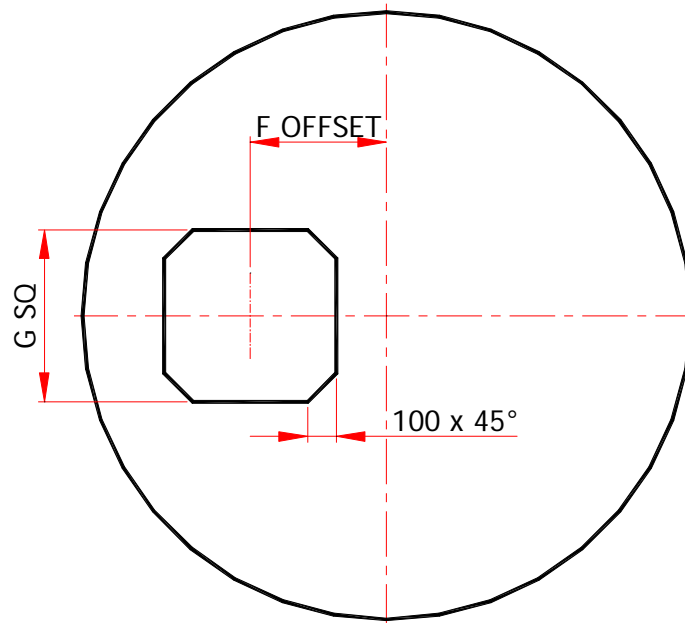


Fig 4

750 SQ OPENING					900 SQ OPENING				
DN	F OFFSET	G	Kite-Mark	CE - Mark	DN	F OFFSET	G	Kite-Mark	CE - Mark
1050	CENTRAL	750	✓	✓	1350	CENTRA	900	✗	✗
1200	75	750	✗	✓	1500	150	900	✗	✗
1350	150	750	✗	✗	1800	300	900	✗	✗
1500	225	750	✗	✗	2100	450	900	✗	✗
1800	375	750	✗	✗	2400	600	900	✗	✗
2100	525	750	✗	✗	2700	750	900	✗	✗
2400	675	750	✗	✗	3000	900	900	✗	✗
2700	825	750	✗	✗					
3000	975	750	✗	✗					

NOTE: ALL OTHER DIMENSIONS ARE AS PAGE 3

## COVERSLABS WITH 900 X 600 OPENINGS

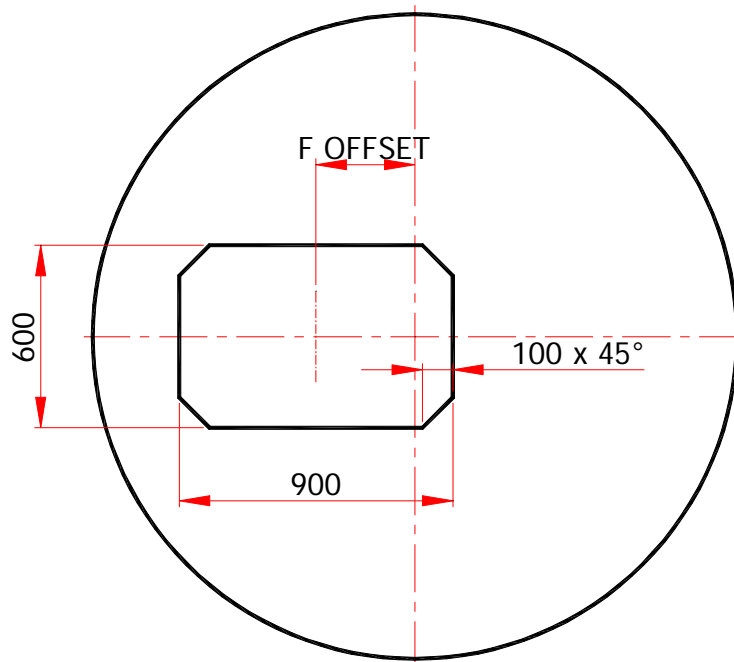


Fig 5

900 X 600 OPENING			
DN	F OFFSET	Kite-Mark	CE-Mark
1200	CENTRAL	x	✓
1350	75	x	x
1500	150	x	x
1800	300	x	x
2100	450	x	x
2400	600	x	x
2700	750	x	x
3000	900	x	x

NOTE: ALL OTHER DIMENSIONS ARE AS PAGE 3

Right to Change: The specifications given in this document are believed to be correct but are not guaranteed. Stanton Bonna reserve the right to alter any specifications given in accordance with its policy of continuous product development. All rights reserved.