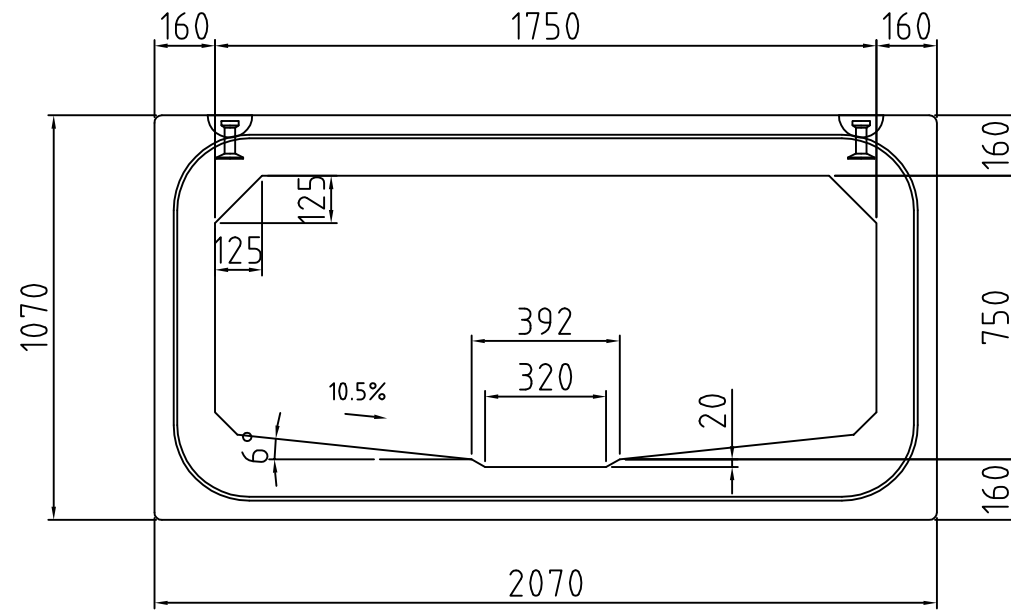
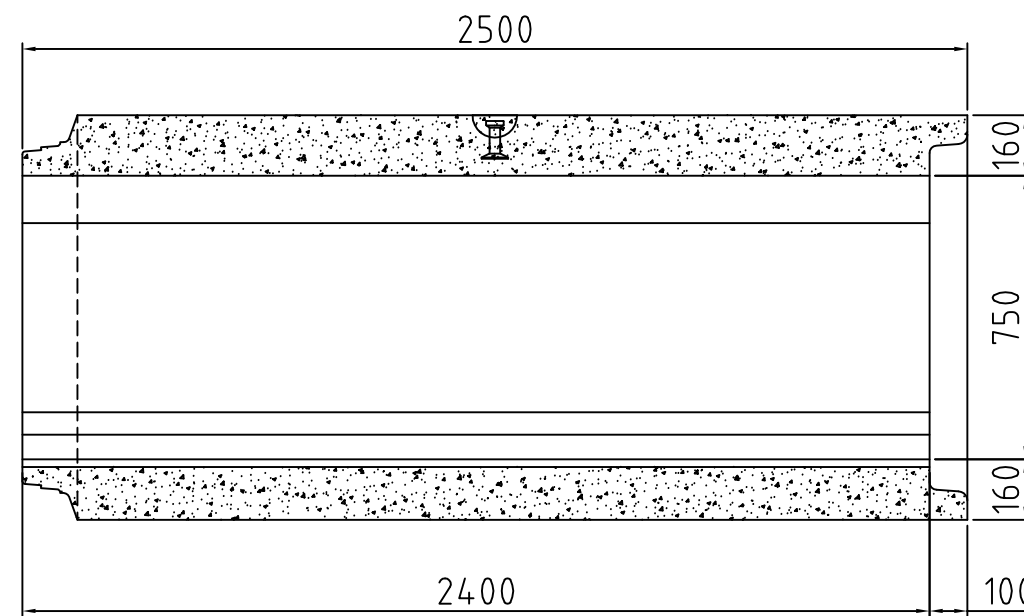


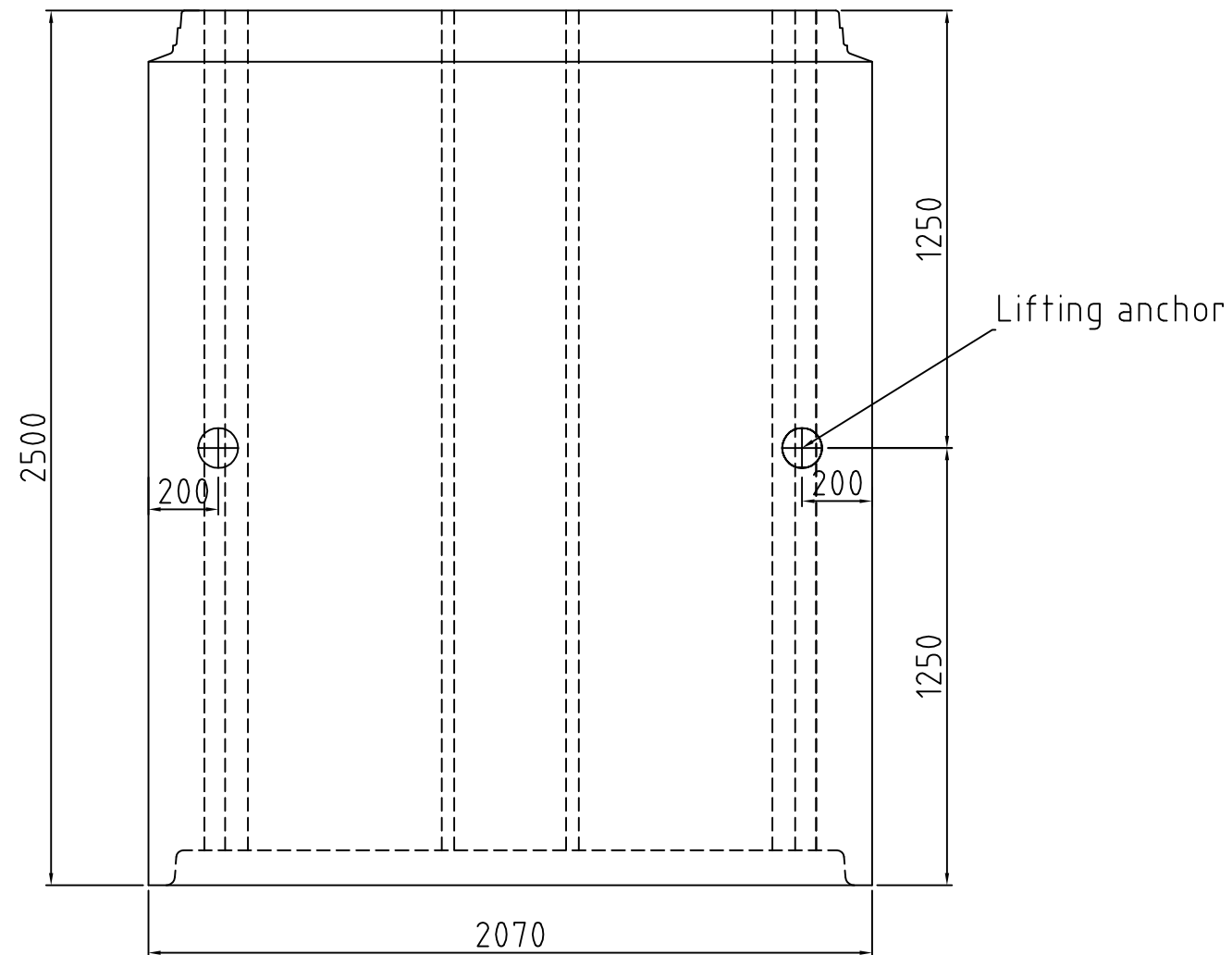
Socket view



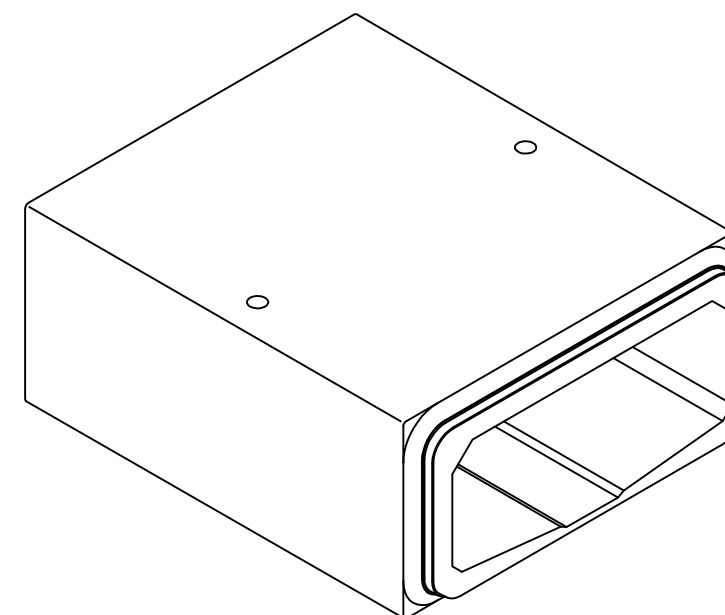
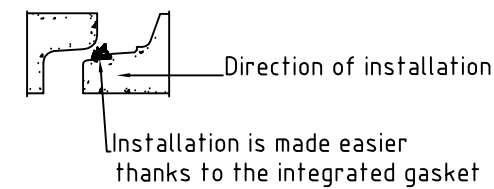
Longitudinal section



Top view



Joint section



CUSTOMER APPROVAL

APPROVED

DATE

QUOTATION No.

ORDER No.

NOTE :-

1. Concrete class, durability class and nominal cover are defined in the calculation note.
2. The design loading is also defined in the calculation note.
3. Angle of Chain at Lifter <math>< 30^\circ</math> from Vertical, unit to be lifted using a Static Crane. For more details, refer to the installation instructions NT450 and NT451.
4. Position of the lifting points might be slightly adjusted to suit the reinforcement
5. Approximate UNIT WEIGHT = 5.72t

DESCRIPTION

AQUACULVERT
1750 x 750

StantonBonna

DRAWN NC

DATE 20/01/2016

CHKD

DWG No. AQCU0006