

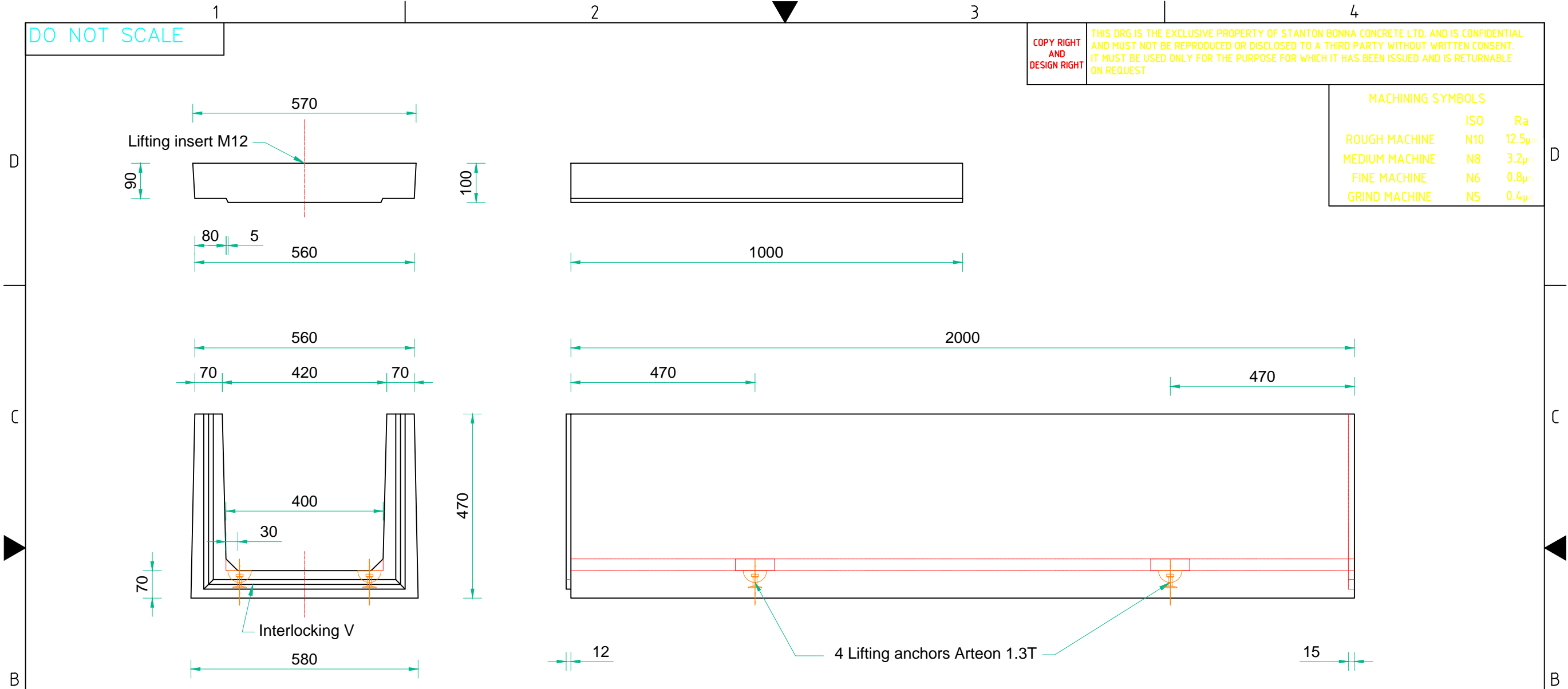
DO NOT SCALE

COPY RIGHT AND DESIGN RIGHT

THIS DRG IS THE EXCLUSIVE PROPERTY OF STANTON BONNA CONCRETE LTD. AND IS CONFIDENTIAL AND MUST NOT BE REPRODUCED OR DISCLOSED TO A THIRD PARTY WITHOUT WRITTEN CONSENT. IT MUST BE USED ONLY FOR THE PURPOSE FOR WHICH IT HAS BEEN ISSUED AND IS RETURNABLE ON REQUEST

MACHINING SYMBOLS

	ISO	Ra
ROUGH MACHINE	N10	12.5µm
MEDIUM MACHINE	N8	3.2µm
FINE MACHINE	N6	0.8µm
GRIND MACHINE	N5	0.4µm



Trough Weight - 521kg per unit
 Standard Lid Weight 136kg each.
 Heavy duty Lid Weight - 136kg each
 Troughs Designed and manufactured to BS EN 1433,
 Load Classification D400, - Heavy Duty Lids to
 withstand Wheel Loads not exceeding 11 tonne.

Please Note - A Rubber or Foam Conformance layer between trough and covers are recommended where units are subject to Heavy Vehicular Loads.

THIS DRAWING WAS PRODUCED USING AUTOCAD AND SHOULD ON NO ACCOUNT BE AMENDED BY HAND

Stanton Bonna

TITLE

TROUGH with LID
 size 400 Wide x 400 Deep
 B-S Ref 236

STANTON BONNA CONCRETE LTD. Littlewell Lane, Stanton-by-Dale, Ilkeston, Derbyshire. DE7 4QW TEL: 0115 944 1448 FAX: 0115 944 1466	SCALE	HMM
	DRAWN	M MANNERS
	DATE	26/05/2015
DRG. No. CDO/ C / 2751	REV No.	A

REV	DATE	ZONE	ALTD	CKD	APPD	ALTERATIONS	REV	DATE	ZONE	ALTD	CKD	APPD	ALTERATIONS
							00						INITIAL ISSUE

DO NOT SCALE

COPY RIGHT
AND
DESIGN RIGHT

THIS DRG IS THE EXCLUSIVE PROPERTY OF STANTON BONNA CONCRETE LTD. AND IS CONFIDENTIAL AND MUST NOT BE REPRODUCED OR DISCLOSED TO A THIRD PARTY WITHOUT WRITTEN CONSENT. IT MUST BE USED ONLY FOR THE PURPOSE FOR WHICH IT HAS BEEN ISSUED AND IS RETURNABLE ON REQUEST

MACHINING SYMBOLS

	ISO	Ra
ROUGH MACHINE	N10	12.5µ
MEDIUM MACHINE	N8	3.2µ
FINE MACHINE	N6	0.8µ
GRIND MACHINE	N5	0.4µ

D

D

C

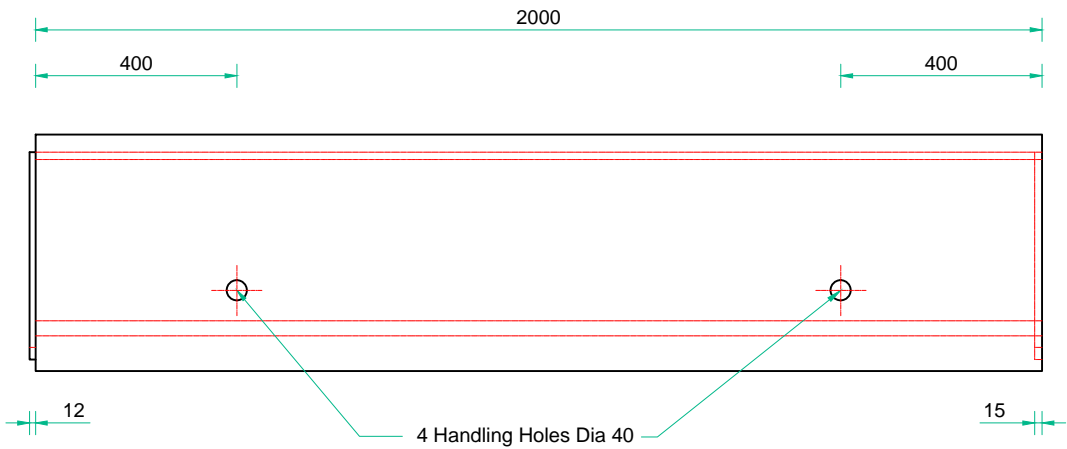
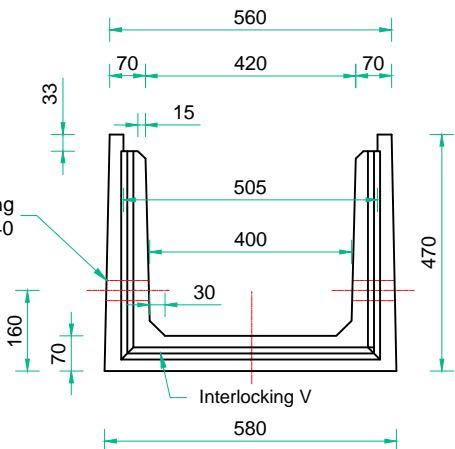
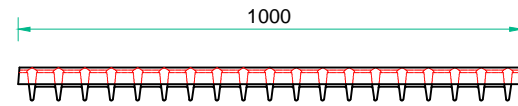
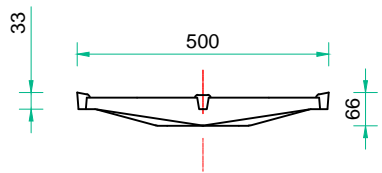
C

B

B

A

A



Trough Weight - 521kg per unit
Standard Lid Weight - 136kg each.
Heavy duty Lid Weight - 136kg each
Troughs Designed and manufactured to BS EN 1433,
Load Classification D400, - Heavy Duty Lids to
withstand Wheel Loads not exceeding 11 tonne.

Please Note - A Rubber or Foam Conformance layer between trough and covers are recommended where units are subject to Heavy Vehicular Loads.

THIS DRAWING WAS PRODUCED USING AUTOCAD AND SHOULD ON NO ACCOUNT BE AMENDED BY HAND

REV	DATE	ZONE	ALTD	CKD	APPD	ALTERATIONS	REV	DATE	ZONE	ALTD	CKD	APPD	ALTERATIONS
							00						INITIAL ISSUE

Stanton Bonna

TITLE

TROUGH with Steel Grating Drainage LID
size 400 Wide x 400 Deep
B-S Ref 235

STANTON BONNA CONCRETE LTD.		SCALE	HMM
Littlewell Lane, Stanton-by-Dale, Ilkeston, Derbyshire. DE7 4QW TEL: 0115 944 1448 FAX: 0115 944 1466		DRAWN	M MANNERS
		DATE	26/05/2015
DRG. No. CDO/ C / 2751		REV No.	A

ORIGINAL FRAME SIZE (INCL. BORDER) 594 x 430 A2