

# Installation Data for Plastic Encapsulated Double Steps

PD 12 rev C

18/05/03

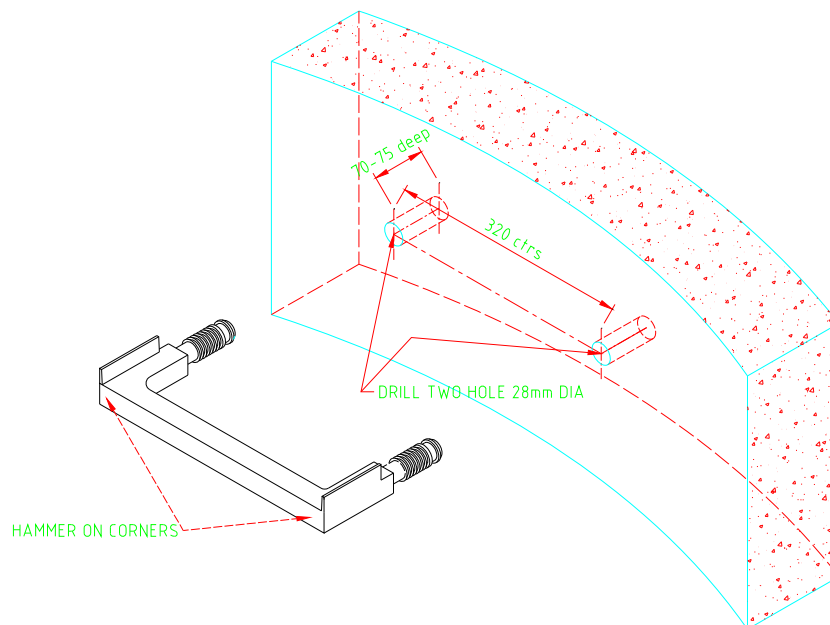
These instructions apply to the site fixing of plastic encapsulated double steps (reference 26/65) into our precast concrete Vi-King manhole chamber rings.

It is recommended that steps are positioned at vertical centers of 250 mm, 125 mm above and below chamber ring joints.

Steps must be fixed with a suitable adhesive and thixotropic epoxy resin is recommended (available from Stanton Bonna). Approximately 20 steps can be fitted with 1 kg of resin.

## INSTALLATION PROCEDURE

- Drill 2 no. holes 28 mm diameter, 70-75 mm deep, in a horizontal plane for each step.
- Holes are to be parallel and at 320 mm centers.
- Remove dust from holes.
- Mix resin in accordance with the manufacturer's instructions.
- Fully coat each step tail with resin, including the recesses between the fins.
- Hammer steps into holes, striking only on the raised face on the step corner.
- Alternate striking between step corners in order that the step enters squarely.
- Clean excess resin from the entry point of the step.
- Fixed steps must not be touched until the resin has cured for the time specified by the resin manufacturer.



Right to Change: The specifications given in this document are believed to be correct but are not guaranteed. Stanton Bonna reserve the right to alter any specifications given in accordance with its policy of continuous product development. All rights reserved.

Stanton Bonna Concrete Limited • Littlewell Lane • Stanton-By-Dale • Ilkeston • Derbyshire • DE7 4QW

T 0115 944 1448 F 0115 944 1466 E info@stanton-bonna.co.uk W www.stanton-bonna.co.uk