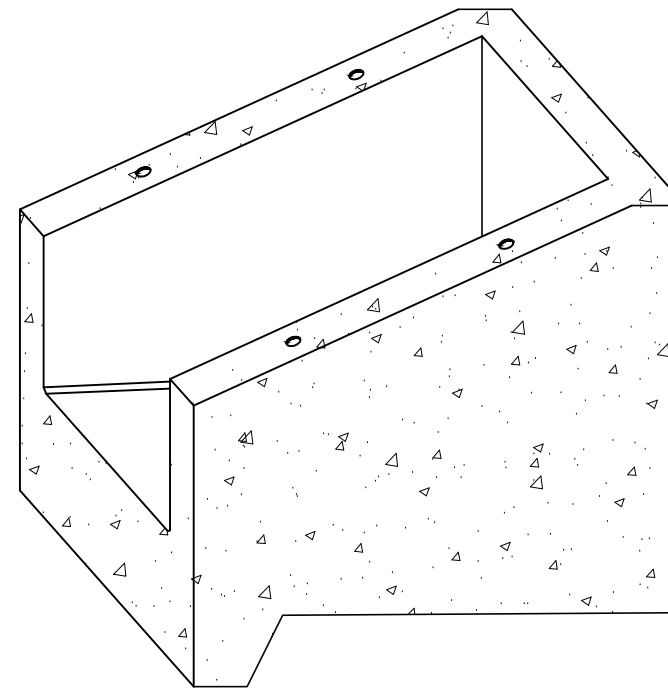
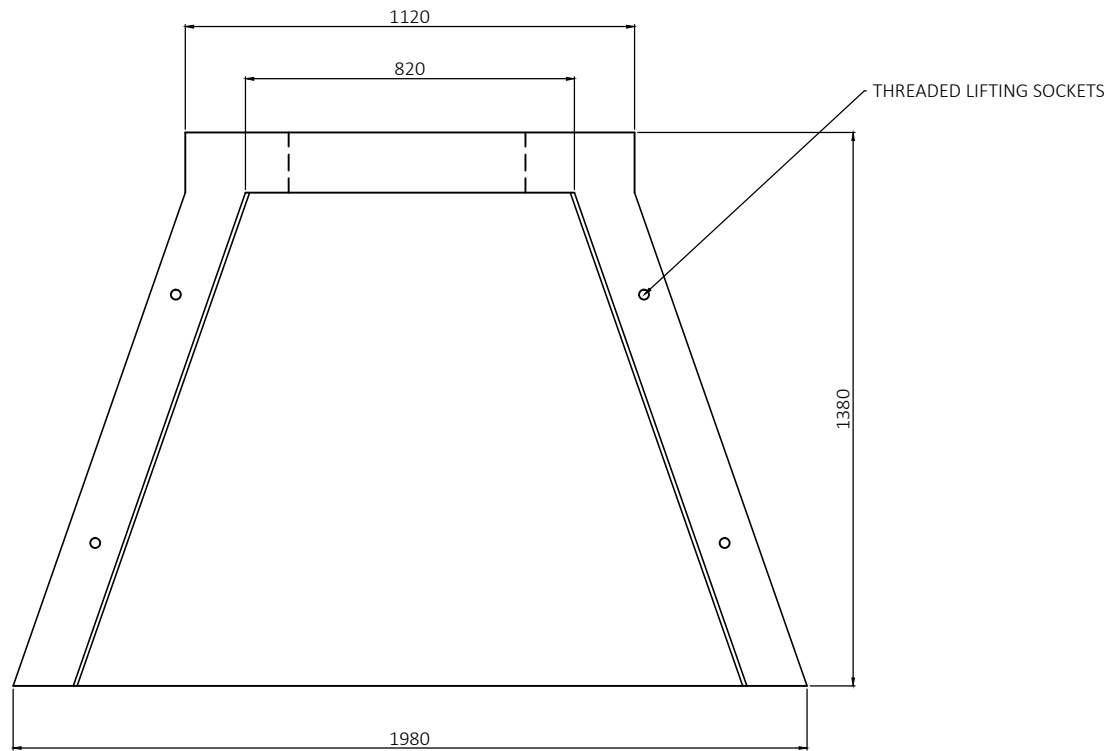


DO NOT SCALE

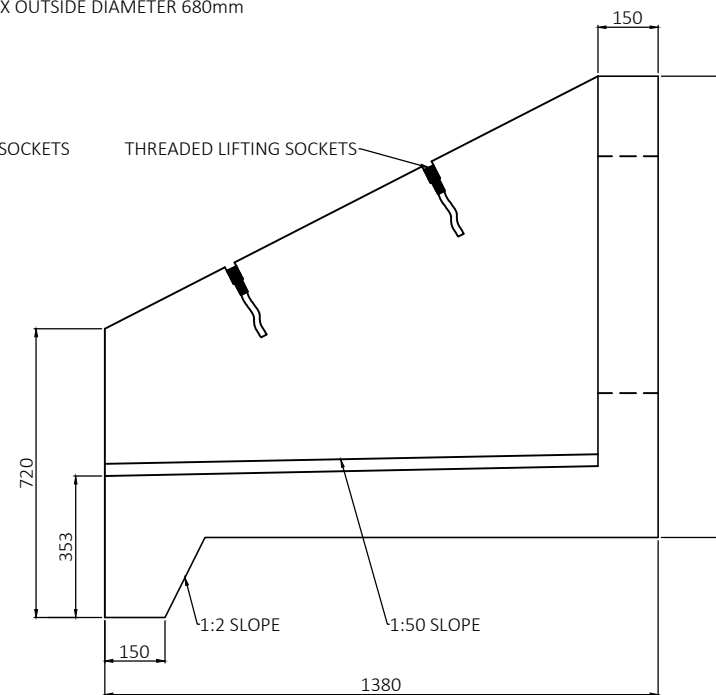
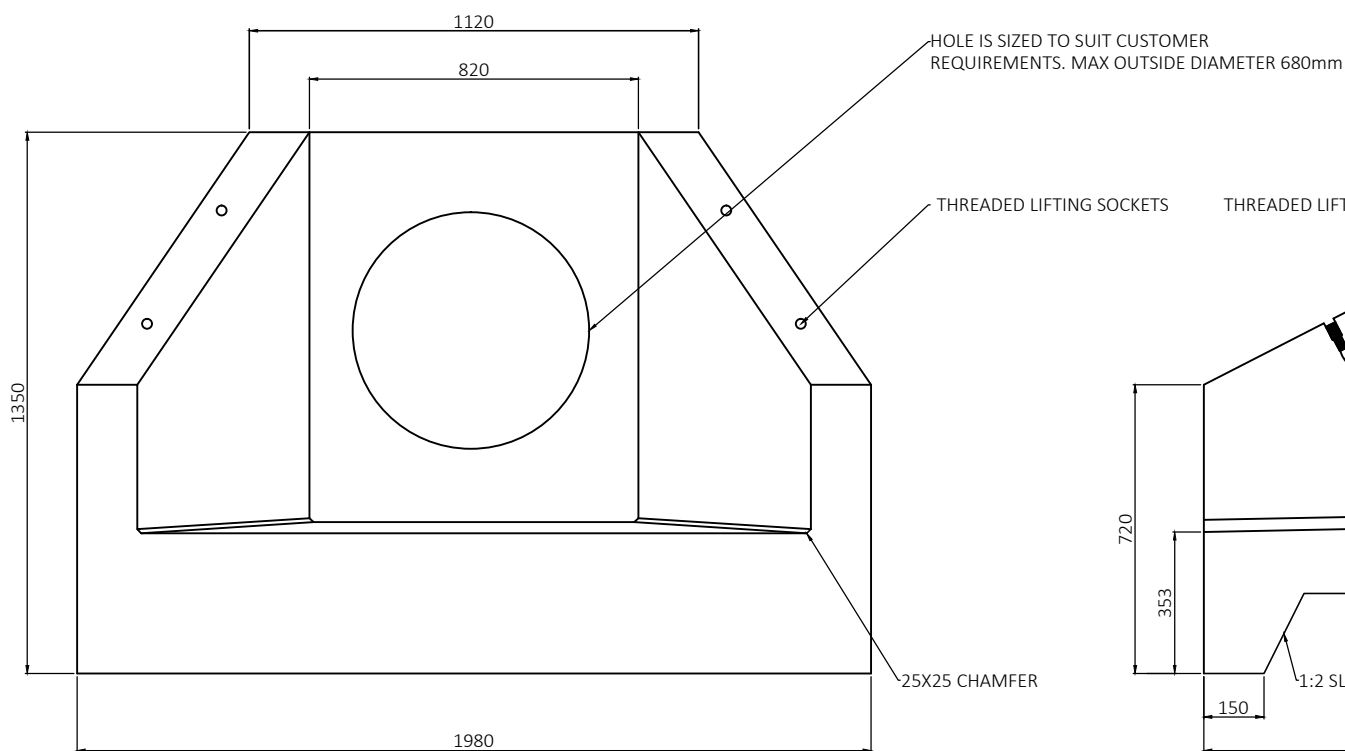
THIS DRG IS THE EXCLUSIVE PROPERTY OF STANTON BONNA CONCRETE LTD AND IS CONFIDENTIAL. IT MUST NOT BE REPRODUCED OR DISCLOSED TO A THIRD PARTY WITHOUT WRITTEN CONSENT. IT MUST BE USED ONLY FOR THE PURPOSE FOR WHICH IT HAS BEEN ISSUED AND IS RETURNABLE ON REQUEST.

Copyright & Design right



NOTES

1. Cylindrical opening in rear wall cast to suit outside diameter of chosen pipe.
2. Headwall to be used with pipe outer diameters not exceeding 680mm (typically suitable for 300-450 concrete pipe, although smaller pipe sizes can be accommodated).
3. Approximate Weight = 2400Kg.
4. Concrete C40/50 DC4 (BRE SD1).
5. Minimum cover = 40mm.
6. Design: Stanton Bonna are the product designers.
The suitability of the product for the project (e.g. stability and support conditions) must be checked by the project engineer.
7. As a minimum units should be bedded on 100mm thickness of lean-mix concrete (GEN1).
8. A suitably rated four-legged lifting chain set must be used.
The included angle at the master static crane has been assumed.
Appropriate lifting loops are available from Stanton Bonna.
9. Refer to PD81 RevA for installation instructions.



StantonBonna

TITLE

Medium Precast Concrete Headwall
DN300 - DN450

STANTON BONNA CONCRETE LTD.
Littlewell Lane, Stanton-by-Dale,
Ilkeston, Derbyshire. DE7 4QW
TEL: 0115 944 1448 FAX: 0115 944 1466

Scale	
Drawn	J. Talbot
Date	11/06/2014
Revision No.	-

DRG. No. CDO/ D /1506

THIS DRAWING WAS PRODUCED USING AUTOCAD AND SHOULD ON NO ACCOUNT BE AMENDED BY HAND

ORIGINAL FRAME SIZE (INCL. BORDER) 420 X 297 A3