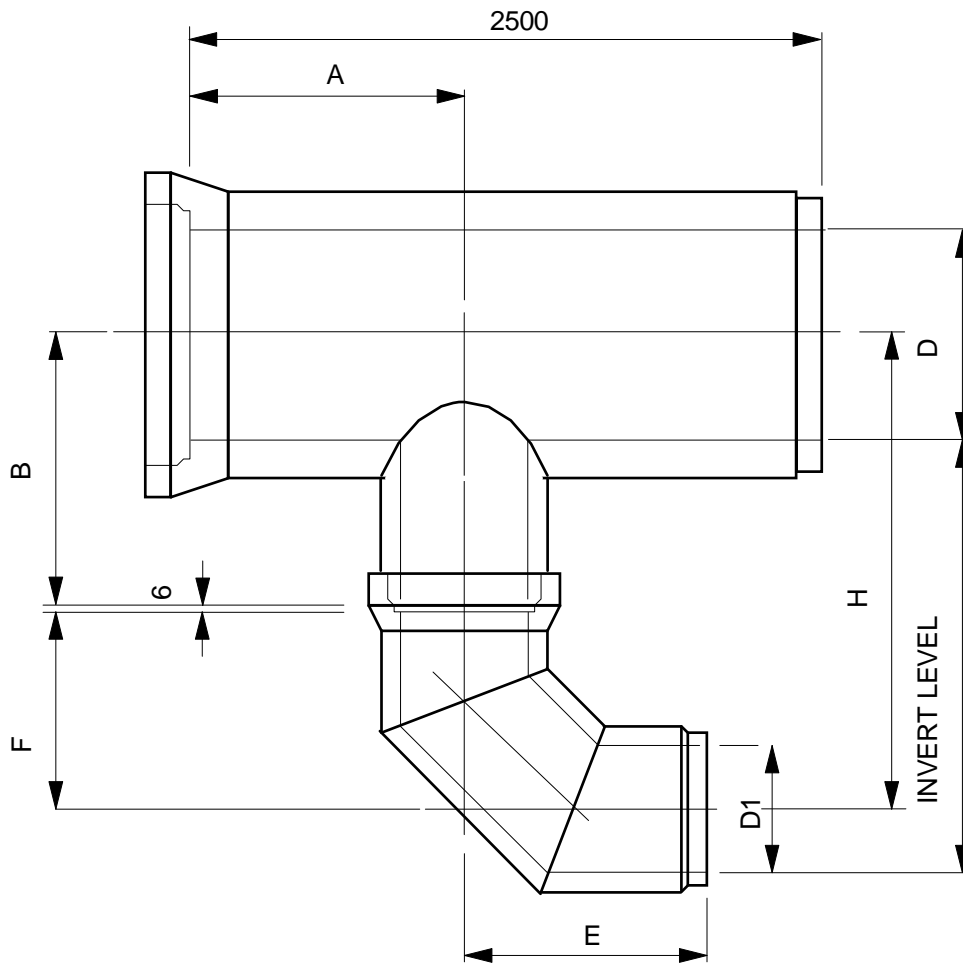


Invert Levels for 90° Backdrop Junctions

PD 23 rev C

08/10/04



NOTE

1. 90° bends are in accordance with PD6. Junctions are in accordance with PD3.
2. Junctions and bends are not designed as load bearing structures and should be encased in a suitably designed in-situ concrete surround.
3. Diameter D is the nominal diameter of the main pipe.

D	D1	A	B	E	F	H	INVERT LEVEL
300	300	459	500	600	600	1106	1106
375	300	459	538	600	600	1144	1107
375	375	496	538	600	600	1144	1144
450	300	487	584	600	600	1190	1115
450	375	524	584	600	600	1190	1153
450	450	571	584	600	675	1265	1265
525	300	545	630	600	600	1236	1124
525	375	582	630	600	600	1236	1161
525	450	629	630	600	675	1311	1274
525	525	674	635	650	775	1416	1416
600	300	517	679	600	600	1285	1135
600	375	554	679	600	600	1285	1173
600	450	601	679	600	675	1360	1285
600	525	646	684	650	775	1465	1428
600	600	1250	694	750	800	1500	1500
675	300	605	708	600	600	1314	1127
675	375	642	708	600	600	1314	1164
675	450	689	708	600	675	1389	1277
675	525	734	713	650	775	1494	1419
675	600	1250	723	750	800	1529	1492
675	675	1250	720	953	1107	1833	1833
750	300	610	750	600	600	1356	1131
750	375	648	750	600	600	1356	1169
750	450	694	750	600	675	1431	1281
750	525	740	755	650	775	1536	1424
750	600	1250	765	750	800	1571	1496
750	675	1250	762	953	1107	1875	1838
750	750	1250	762	953	1107	1875	1875

D	D1	A	B	E	F	H	INVERT LEVEL
800	300	627	783	600	600	1389	1137
800	375	665	783	600	600	1389	1174
800	450	711	783	600	675	1464	1287
800	525	757	788	650	775	1569	1429
800	600	1250	798	750	800	1604	1502
800	675	1250	795	953	1107	1908	1843
800	750	1250	795	953	1107	1908	1881
900	300	632	835	600	600	1441	1141
900	375	670	835	600	600	1441	1179
900	450	716	835	600	675	1516	1291
900	525	762	840	650	775	1621	1434
900	600	1250	850	750	800	1656	1506
900	675	1250	847	953	1107	1960	1848
900	750	1250	847	953	1107	1960	1885
1050	300	657	925	600	600	1531	1156
1050	375	695	925	600	600	1531	1194
1050	450	741	925	600	675	1606	1306
1050	525	787	930	650	775	1711	1449
1050	600	1250	940	750	800	1746	1521
1050	675	1250	937	953	1107	2050	1863
1050	750	1250	937	953	1107	2050	1900

D	D1	A	B	E	F	H	INVERT LEVEL
1200	300	657	1015	600	600	1621	1171
1200	375	695	1015	600	600	1621	1209
1200	450	741	1015	600	675	1696	1321
1200	525	787	1020	650	775	1801	1464
1200	600	1250	1030	750	800	1836	1536
1200	675	1250	1027	953	1107	2140	1878
1200	750	1250	1027	953	1107	2140	1915
1400	300	637	1135	600	600	1741	1201
1400	375	674	1135	600	600	1741	1239
1400	450	721	1135	600	675	1816	1351
1400	525	766	1140	650	775	1921	1494
1400	600	1250	1150	750	800	1956	1566
1400	675	1250	1147	953	1107	2260	1908
1400	750	1250	1147	953	1107	2260	1945
1500	300	609	1195	600	600	1801	1201
1500	375	646	1195	600	600	1801	1239
1500	450	693	1195	600	675	1876	1351
1500	525	738	1200	650	775	1981	1494
1500	600	1250	1210	750	800	2016	1566
1500	675	1250	1207	953	1107	2320	1908
1500	750	1250	1207	953	1107	2320	1945

D	D1	A	B	E	F	H	INVERT LEVEL
1600	300	639	1255	600	600	1861	1211
1600	375	676	1255	600	600	1861	1249
1600	450	723	1255	600	675	1936	1361
1600	525	768	1260	650	775	2041	1504
1600	600	1250	1270	750	800	2076	1576
1600	675	1250	1267	953	1107	2380	1918
1600	750	1250	1267	953	1107	2380	1955
1800	300	637	1375	600	600	1981	1231
1800	375	674	1375	600	600	1981	1269
1800	450	721	1375	600	675	2056	1381
1800	525	766	1380	650	775	2161	1524
1800	600	1250	1390	750	800	2196	1596
1800	675	1250	1387	953	1107	2500	1938
1800	750	1250	1387	953	1107	2500	1975

Right to Change: The specifications given in this document are believed to be correct but are not guaranteed. Stanton Bonna reserve the right to alter any specifications given in accordance with its policy of continuous product development. All rights reserved.

Stanton Bonna Concrete Limited • Littlewell Lane • Stanton-By-Dale • Ilkeston • Derbyshire • DE7 4QW
T 0115 944 1448 **F** 0115 944 1466 **E** info@stanton-bonna.co.uk **W** www.stanton-bonna.co.uk