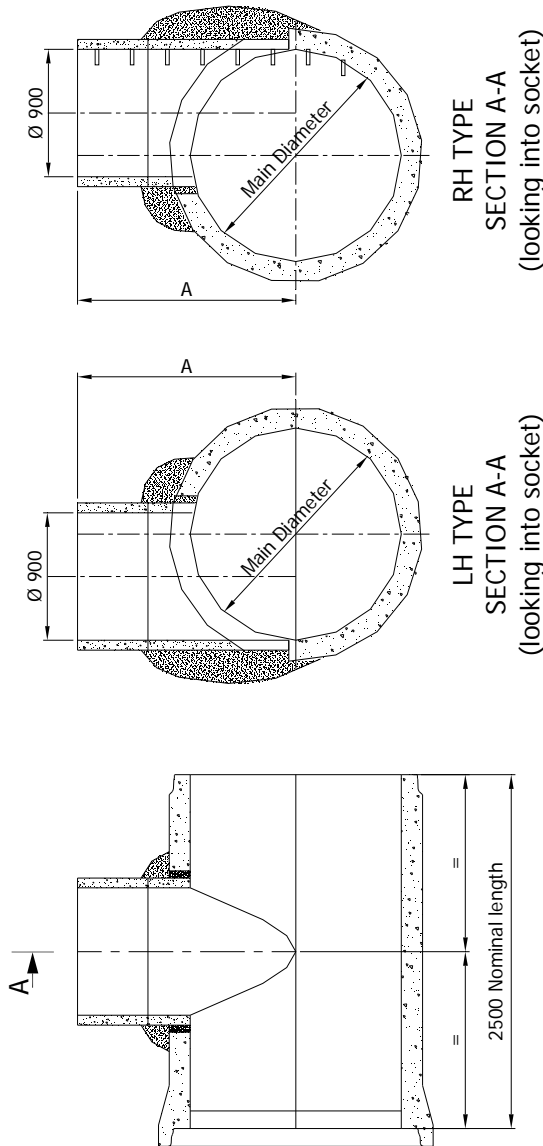


Dimensional Data for Side Entry Manholes with DN 900 Shaft

PD 20 rev D

16/02/06



RH TYPE
SECTION A-A
(looking into socket)

LH TYPE
SECTION A-A
(looking into socket)

Pipe Lengths 'B'
DN1400 to DN1800 'B' = 2500
DN2000 & DN2400 'B' = 2400
DN2200 'B' = 2320

NOTE This product is no available with steps

NOTES

1. For main pipe diameters 900 to 1350 'A' = 1050mm, for pipe diameters 1500 to 1800 'A' = 1300mm for pipe diameters 2000 and 2200 'A' = 1550mm and for 2400 diameter pipes 'A' = 1800mm.
2. Side entry manholes are available as left or right hand types and are supplied without steps (the Customer is referred to the 'Confined Spaced Regulation').
3. Side entry manholes are not designed as load bearing structures and should be encased in a suitable designed in-situ concrete surround.
4. Only sections of 1.0m, 0.5m and 0.25m depth should be used immediately above the chamber ring. The 0.25m section should only be used if a coverslab is to be installed immediately above.
5. These products are made from 'kitemarked' items which comply with the relevant Standards
Pipes DN 1600 and below BS EN 1916 & BS 5911-1
Pipes DN 1800 and above BS 5911-1
Manholes BS EN 1917 & BS 5911-3

Right to Change: The specifications given in this document are believed to be correct but are not guaranteed. Stanton Bonna reserve the right to alter any specifications given in accordance with its policy of continuous product development. All rights reserved.