

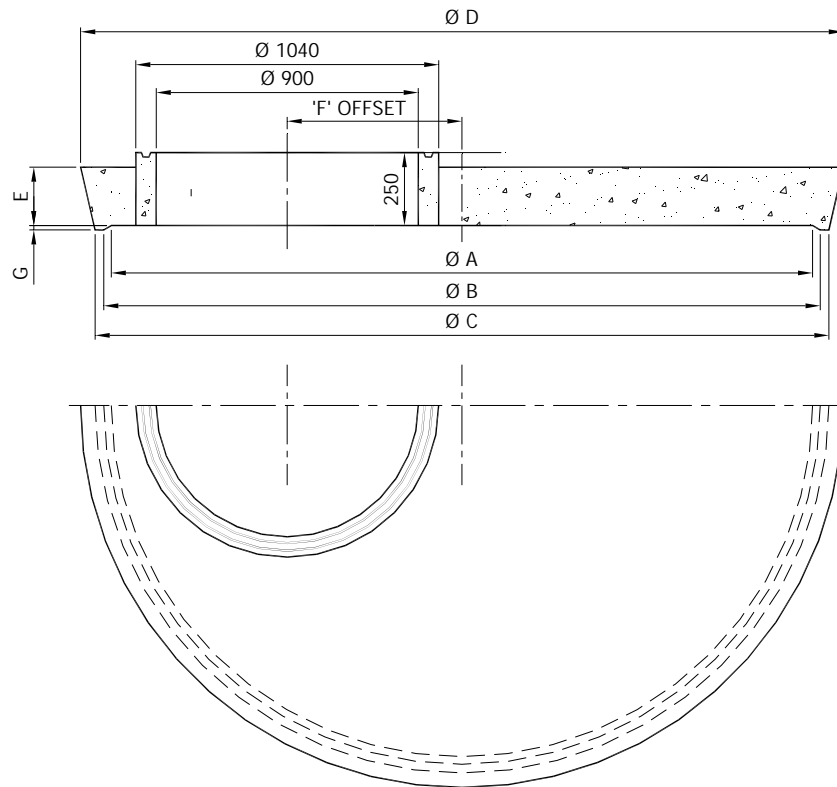
# Dimensional Data for Reducing Slabs

with DN 900, 1050  
and 1200 access

PD 19 rev E

16/02/06

## REDUCING SLABS WITH DN 900 ACCESS



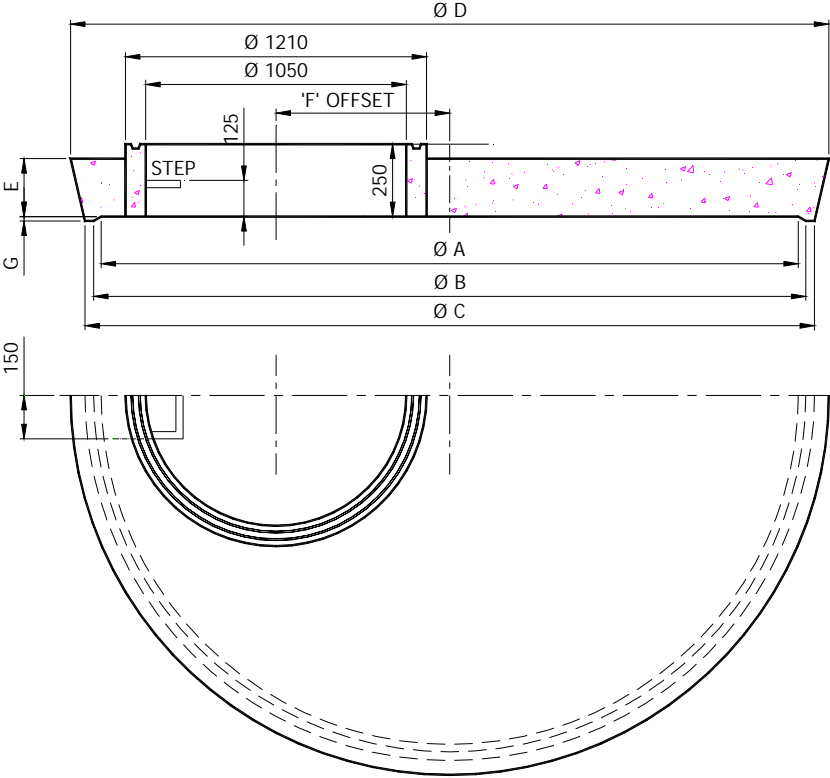
**NOTE: -**

DN900 shaft sections cannot be supplied with steps

DN1350 is no longer a Kitemarked product but is still available

DN	1200	1350	1500	1800	2100	2400
A	1420	1580	1740	2070	2408	2738
B	1472	1632	1792	2122	2460	2790
C	1532	1692	1852	2182	2520	2850
D	1656	1816	1994	2297	2619	2950
E	155	155	180	200	200	200
F	150	225	300	450	600	75
G	15	15	15	15	15	25

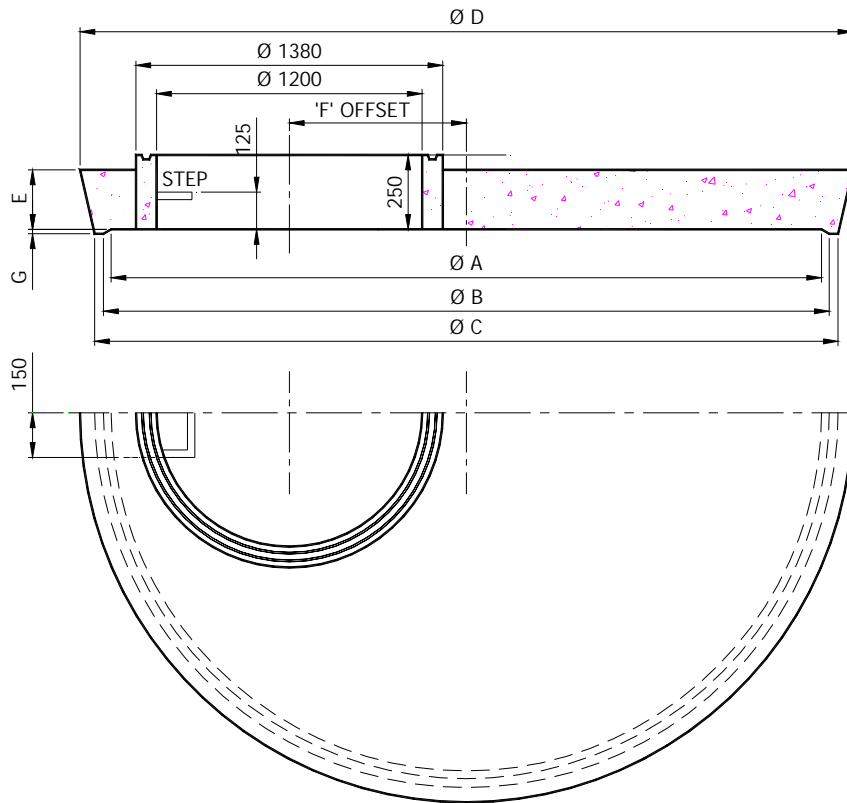
**REDUCING SLABS WITH DN 1050 ACCESS**



**NOTE: -**  
 DN1350 is no longer a Kitemarked product but is still available

<b>DN</b>	<b>1350</b>	<b>1500</b>	<b>1800</b>	<b>2100</b>	<b>2400</b>
A	1580	1740	2070	2408	2738
B	1632	1792	2122	2460	2790
C	1692	1852	2182	2520	2850
D	1816	1994	2297	2619	2950
E	155	180	200	200	200
F	150	225	375	525	675
G	15	15	15	15	25

## REDUCING SLABS WITH DN 1200 ACCESS



**NOTE: -**

DN1350 is no longer a Kitemarked product but is still available

DN	1500	1800	2100	2400
A	1740	2070	2408	2738
B	1792	2122	2460	2790
C	1852	2182	2520	2850
D	1994	2297	2619	2950
E	180	200	200	200
F	150	300	450	600
G	15	15	15	25

Right to Change: The specifications given in this document are believed to be correct but are not guaranteed. Stanton Bonna reserve the right to alter any specifications given in accordance with its policy of continuous product development. All rights reserved.

Stanton Bonna Concrete Limited • Littlewell Lane • Stanton-By-Dale • Ilkeston • Derbyshire • DE7 4QW

**T** 0115 944 1448 **F** 0115 944 1466 **E** info@stanton-bonna.co.uk **W** www.stanton-bonna.co.uk