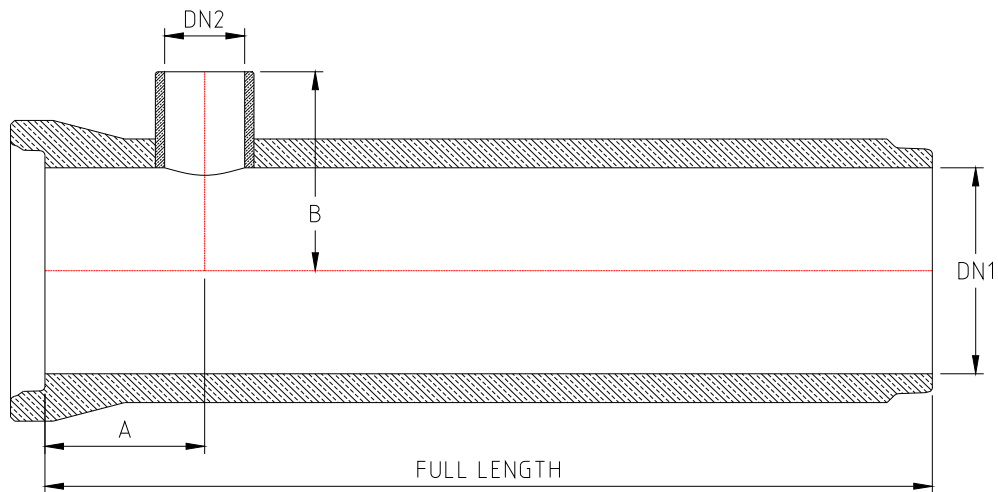


Dimensional Data for Clayware Junctions

PD 1 rev F

02/11/11

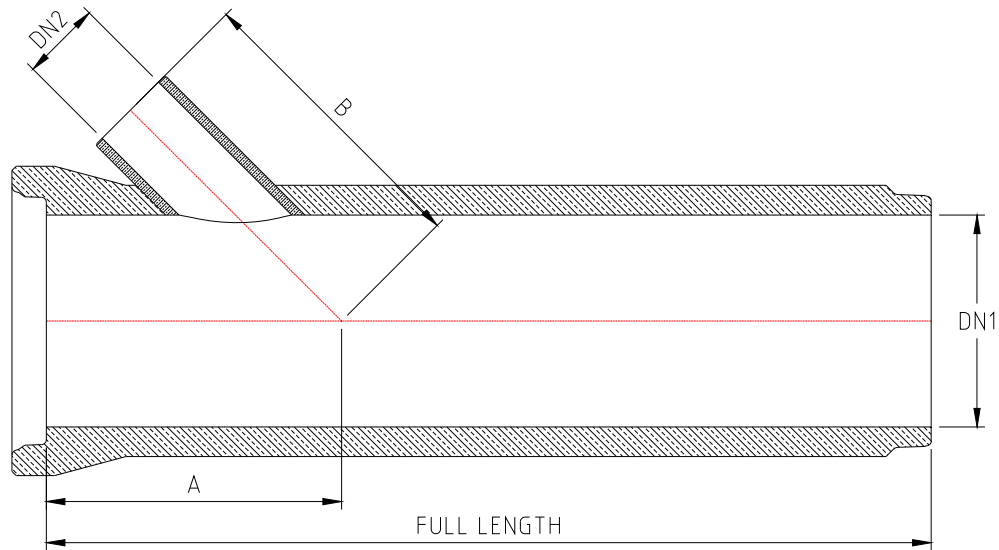
90° CLAYWARE JUNCTIONS



DN1	DN2	A (mm)	B (mm)
300	100, 150, 225	375	430
375	100, 150, 225	375	468
450	100, 150, 225	400	505
525	100, 150, 225	450	543
600	100, 150, 225	450	580
675	100, 150, 225	550	618
750	100, 150, 225	550	655
800	100, 150, 225	550	683
900	100, 150, 225	600	730
1050	100, 150, 225	600	805
1200	100, 150, 225	600	880
1400	100, 150, 225	600	970
1500	100, 150, 225	600	1030
1600	100, 150, 225	600	1080
1800	100, 150, 225	600	1180
2000	100, 150, 225	600	1320
2200	100, 150, 225	600	1420
2400	100, 150, 225	600	1520

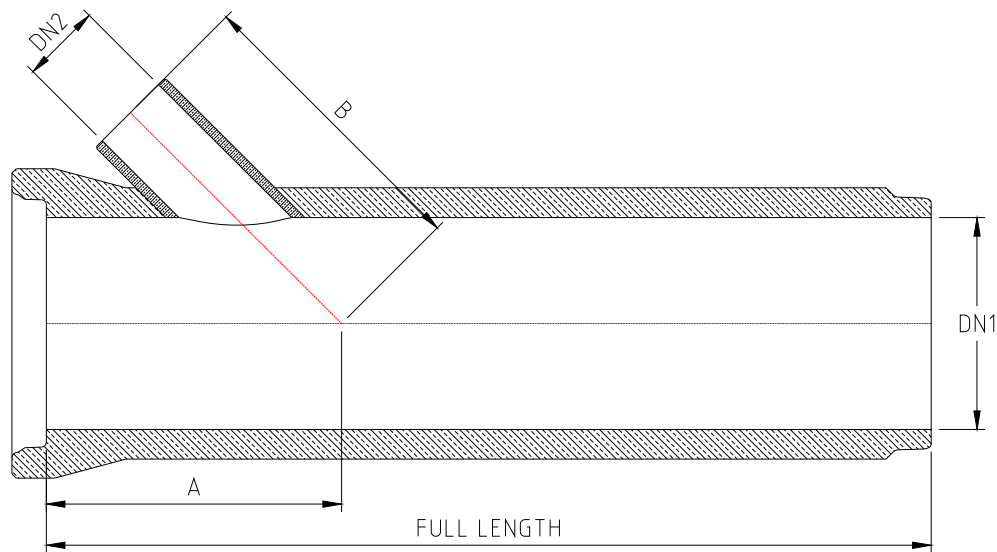
- Note:
- 1) Branches are Densleeve spigot to BS EN 295.
 - 2) All 90° clayware junctions are made to order.
 - 3) Junctions are not load bearing and should be encased in a suitably designed insitu concrete surround.

45° STANDARD CLAYWARE JUNCTIONS



DN1	DN2	A (mm)	B (mm)
300	100	580	562
300	150*	580	562
300	225	580	632
375	100	618	615
375	150*	618	615
375	225	618	685
450	100	689	668
450	150*	689	668
450	225	689	738
525	100	785	721
525	150*	785	721
525	225	785	791
600	100	834	774
600	150*	834	774
600	225	834	844
675	100	963	827
675	150*	963	827
675	225	963	897
750	100	1005	880
750	150*	1005	880
750	225	1005	950
800	100	1038	919
800	150*	1038	919
800	225	1038	989
900	100	1140	986
900	150*	1140	986
900	225	1140	1056
1050	100	1230	1092
1050	150*	1230	1092
1050	225	1230	1162

45° STANDARD CLAYWARE JUNCTIONS CONTD



DN1	DN2	A (mm)	B (mm)
1200	100	1320	1199
1200	150*	1320	1199
1200	225	1320	1269
1400	100	1440	1426
1400	150	1440	1426
1400	225	1440	1476
1500	100	1500	1511
1500	150	1500	1511
1500	225	1500	1561
1600	100	1560	1581
1600	150	1560	1581
1600	225	1560	1631
1800	100	1680	1723
1800	150	1680	1723
1800	225	1680	1773
2000	100	1800	1915
2000	150	1800	1915
2000	225	1800	1965
2200	100	1920	2055
2200	150	1920	2055
2200	225	1920	2105
2400	100	2020	2197
2400	150	2020	2197
2400	225	2020	2247

- Note:
- 1) Branches are Densleeve spigot to BS EN 295.
 - 2) *Junction normally available from stock. All other junctions are made to order.
 - 3) Junctions are not load bearing and should be encased in a suitably designed insitu concrete surround.

Right to Change: The specifications given in this document are believed to be correct but are not guaranteed. Stanton Bonna reserve the right to alter any specifications given in accordance with its policy of continuous product development. All rights reserved.

Stanton Bonna Concrete Limited • Littlewell Lane • Stanton-By-Dale • Ilkeston • Derbyshire • DE7 4QW

T 0115 944 1448 **F** 0115 944 1466 **E** info@stanton-bonna.co.uk **W** www.stanton-bonna.co.uk