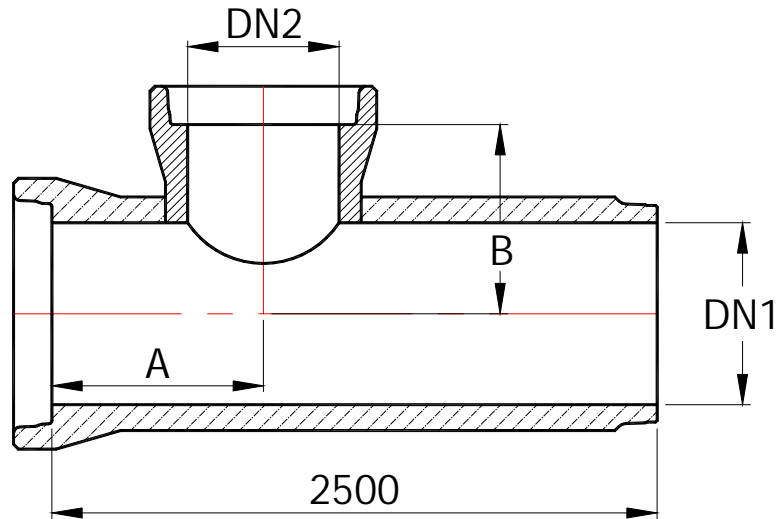


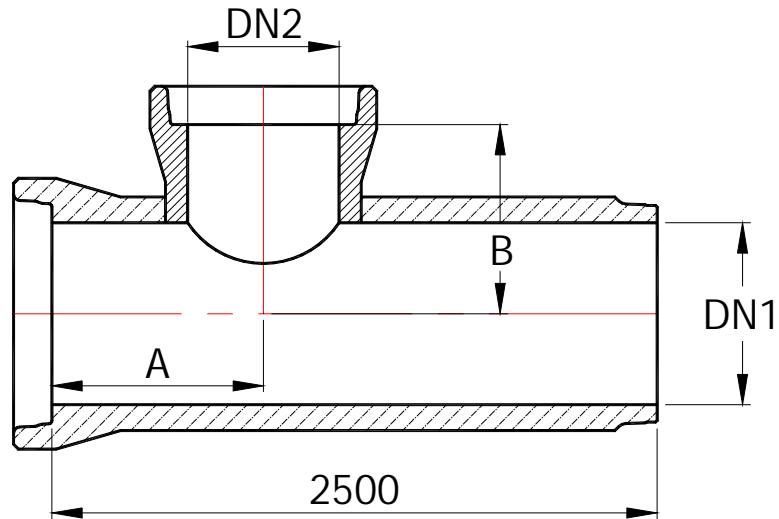
Dimensional Data for 90° Standard Junctions

PD 2 rev D

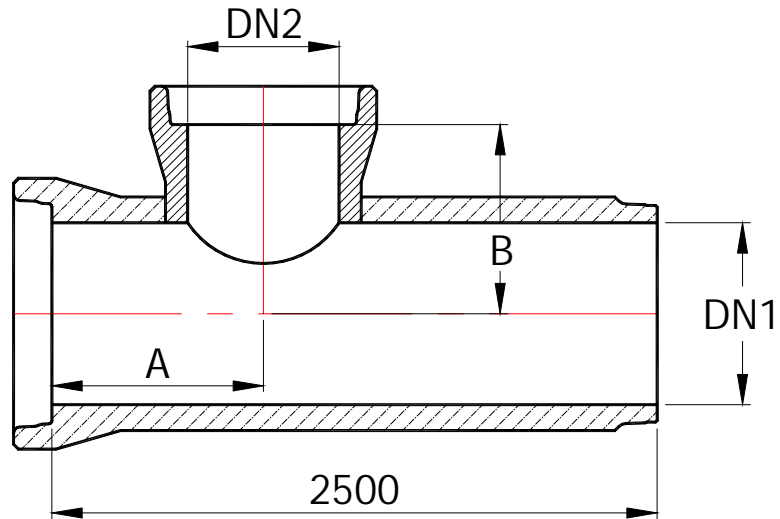
07/10/04



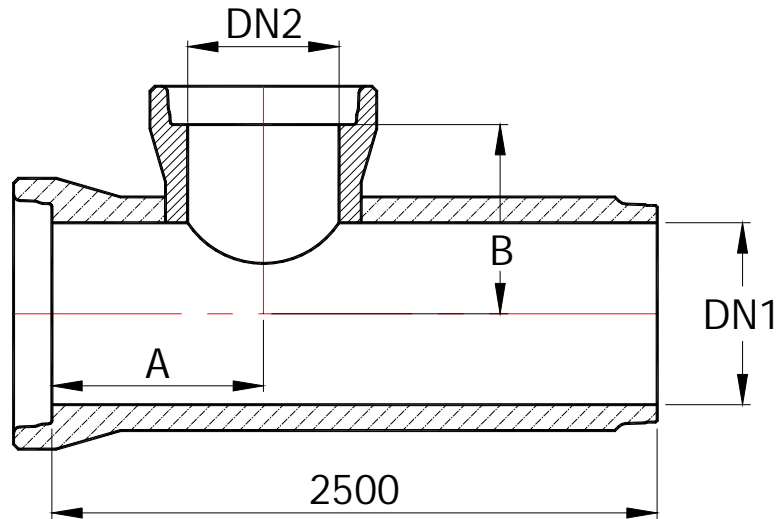
DN 1	DN2	A (mm)	B (mm)
300	300	459	384
375	300	459	421
375	375	496	421
450	300	487	468
450	375	524	468
450	450	571	496
525	300	545	513
525	375	582	513
525	450	629	541
525	525	674	599
600	300	517	563
600	375	554	563
600	450	601	591
600	525	646	649
600	600	1250	621



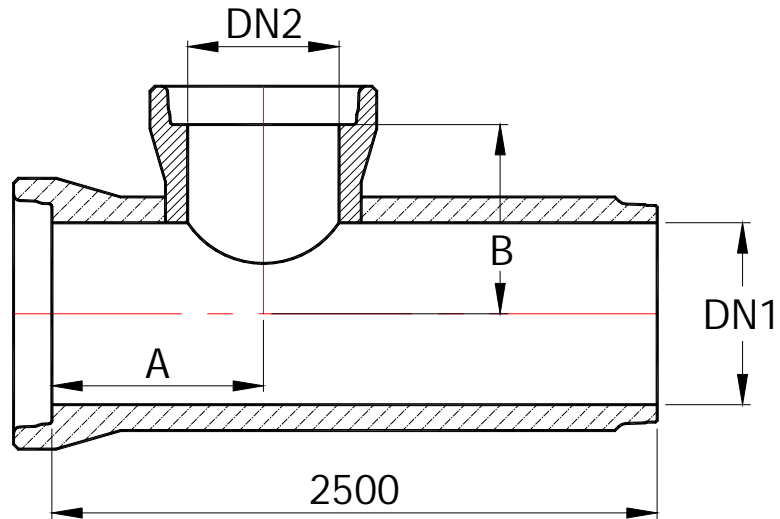
DN1	DN2	A (mm)	B (mm)
675	300	605	591
675	375	642	591
675	450	689	619
675	525	734	677
675	600	1250	649
675	675	1250	737
750	300	610	634
750	375	648	634
750	450	694	662
750	525	740	720
750	600	1250	692
750	675	1250	780
750	750	1250	785
800	300	627	666
800	375	665	666
800	450	711	694
800	525	757	752
800	600	1250	724
800	675	1250	812
800	750	1250	818
800	800	1250	835



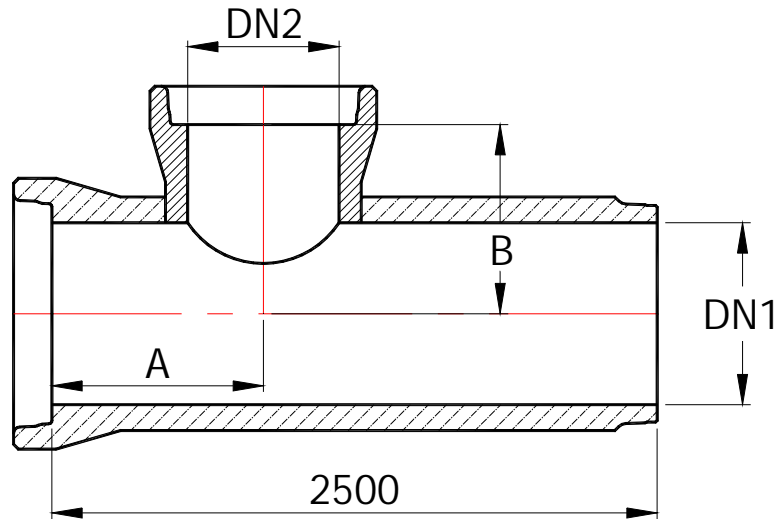
DN1	DN2	A (mm)	B (mm)
900	300	632	719
900	375	670	719
900	450	716	747
900	525	762	805
900	600	1250	777
900	675	1250	865
900	750	1250	870
900	800	1250	887
900	900	1250	892
1050	300	657	809
1050	375	695	809
1050	450	741	837
1050	525	787	895
1050	600	1250	867
1050	675	1250	955
1050	750	1250	960
1050	800	1250	977
1050	900	1250	982
1050	1050	1250	1005



DN1	DN2	A (mm)	B (mm)
1200	300	657	899
1200	375	695	899
1200	450	741	927
1200	525	787	985
1200	600	1250	957
1200	675	1250	1045
1200	750	1250	1050
1200	800	1250	1067
1200	900	1250	1072
1200	1050	1250	1095
1200	1200	1250	1095
1400	300	637	1019
1400	375	674	1019
1400	450	721	1047
1400	525	766	1105
1400	600	1250	1077
1400	675	1250	1165
1400	750	1250	1170
1400	800	1250	1187
1400	900	1250	1192
1400	1050	1250	1215
1400	1200	1250	1215
1400	1400	1250	997



DN1	DN2	A (mm)	B (mm)
1500	300	609	1079
1500	375	646	1079
1500	450	693	1107
1500	525	738	1165
1500	600	1250	1137
1500	675	1250	1225
1500	750	1250	1230
1500	800	1250	1247
1500	900	1250	1252
1500	1050	1250	1275
1500	1200	1250	1275
1500	1400	1250	1057
1600	300	639	1139
1600	375	676	1139
1600	450	723	1167
1600	525	768	1225
1600	600	1250	1197
1600	675	1250	1285
1600	750	1250	1290
1600	800	1250	1307
1600	900	1250	1312
1600	1050	1250	1335
1600	1200	1250	1335
1600	1400	1250	1117



DN1	DN2	A (mm)	B (mm)
1800	300	637	1259
1800	375	674	1259
1800	450	721	1287
1800	525	766	1345
1800	600	1250	1317
1800	675	1250	1405
1800	750	1250	1410
1800	800	1250	1427
1800	900	1250	1432
1800	1050	1250	1455
1800	1200	1250	1455
1800	1400	1250	1237

- Note: 1) All junctions are made to order.
 2) Junctions are not load bearing and should be encased in a suitably designed insitu concrete surround.

Right to Change: The specifications given in this document are believed to be correct but are not guaranteed. Stanton Bonna reserve the right to alter any specifications given in accordance with its policy of continuous product development. All rights reserved.