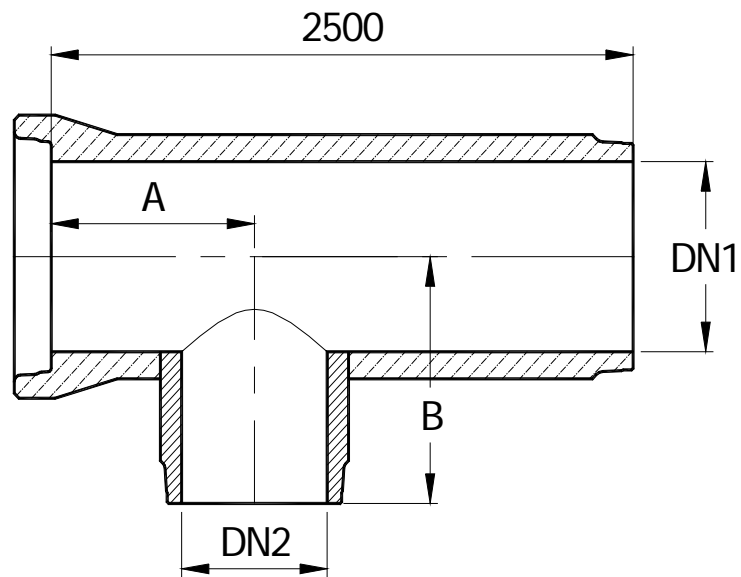


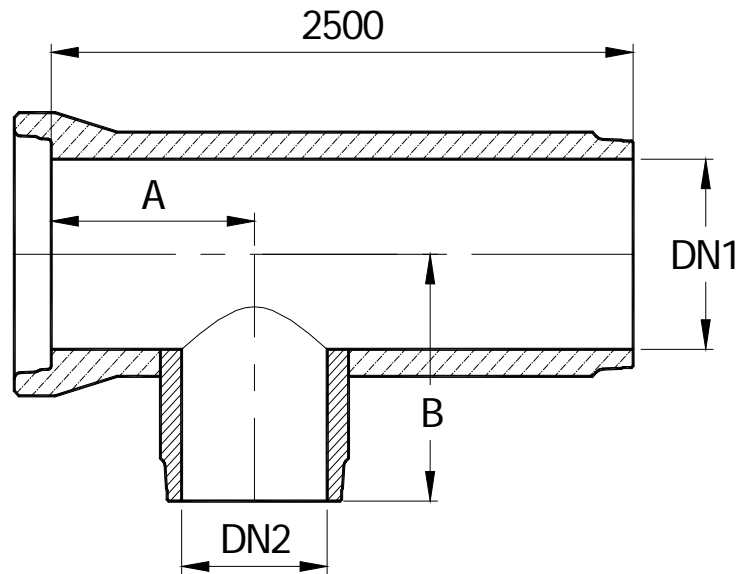
Dimensional Data for 90° Backdrop Junctions

PD 3 rev D

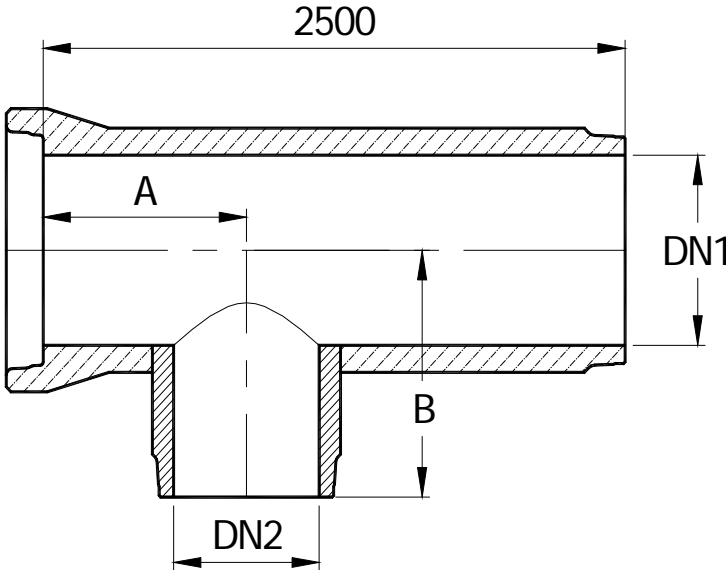
07/10/04



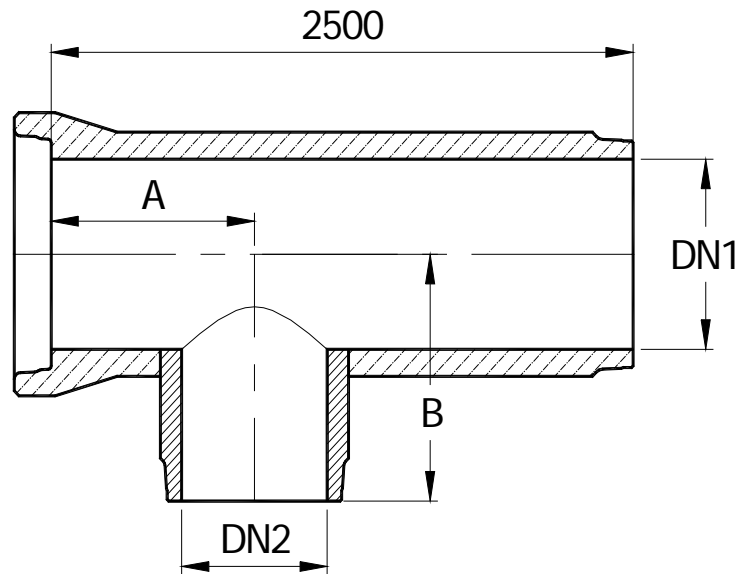
DN 1	DN2	A (mm)	B (mm)
300	300	459	500
375	300	459	538
375	375	496	538
450	300	487	584
450	375	524	584
450	450	571	584
525	300	545	630
525	375	582	630
525	450	629	630
525	525	674	635
600	300	517	679
600	375	554	679
600	450	601	679
600	525	646	684
600	600	1250	694



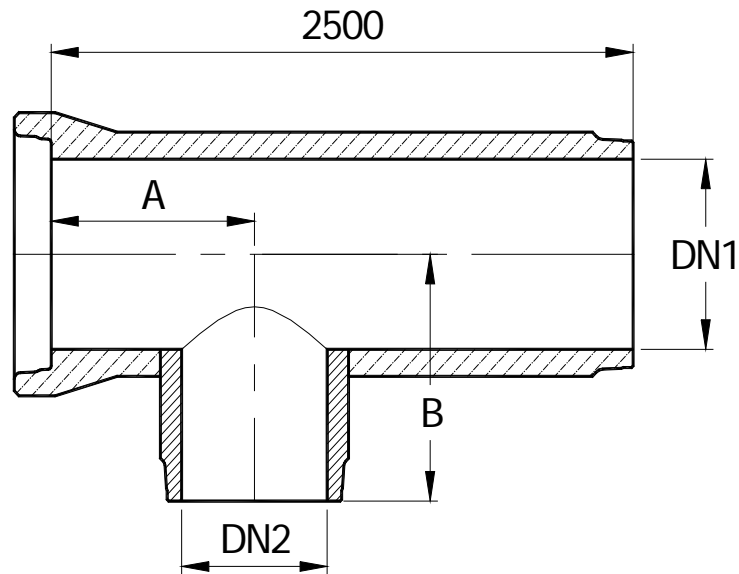
DN1	DN2	A (mm)	B (mm)
675	300	605	708
675	375	642	708
675	450	689	708
675	525	734	713
675	600	1250	723
675	675	1250	720
750	300	610	750
750	375	648	750
750	450	694	750
750	525	740	755
750	600	1250	765
750	675	1250	762
750	750	1250	762
800	300	627	783
800	375	665	783
800	450	711	783
800	525	757	788
800	600	1250	798
800	675	1250	795
800	750	1250	795
800	800	1250	795



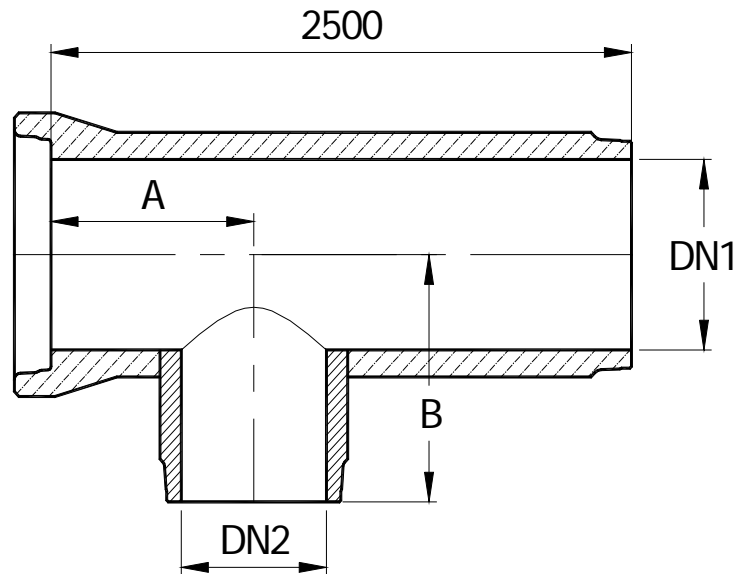
DN1	DN2	A (mm)	B (mm)
900	300	632	835
900	375	670	835
900	450	716	835
900	525	762	840
900	600	1250	850
900	675	1250	847
900	750	1250	847
900	800	1250	847
900	900	1250	866
1050	300	657	925
1050	375	695	925
1050	450	741	925
1050	525	787	930
1050	600	1250	940
1050	675	1250	937
1050	750	1250	937
1050	800	1250	937
1050	900	1250	956
1050	1050	1250	956



DN1	DN2	A (mm)	B (mm)
1200	300	657	1015
1200	375	695	1015
1200	450	741	1015
1200	525	787	1020
1200	600	1250	1030
1200	675	1250	1027
1200	750	1250	1027
1200	800	1250	1027
1200	900	1250	1046
1200	1050	1250	1046
1200	1200	1250	1046
1400	300	637	1135
1400	375	674	1135
1400	450	721	1135
1400	525	766	1140
1400	600	1250	1150
1400	675	1250	1147
1400	750	1250	1147
1400	800	1250	1147
1400	900	1250	1166
1400	1050	1250	1166
1400	1200	1250	1166
1400	1400	1250	1190



DN1	DN2	A (mm)	B (mm)
1500	300	609	1195
1500	375	646	1195
1500	450	693	1195
1500	525	738	1200
1500	600	1250	1210
1500	675	1250	1207
1500	750	1250	1207
1500	800	1250	1207
1500	900	1250	1226
1500	1050	1250	1226
1500	1200	1250	1226
1500	1400	1250	1250
1600	300	639	1255
1600	375	676	1255
1600	450	723	1255
1600	525	768	1260
1600	600	1250	1270
1600	675	1250	1267
1600	750	1250	1267
1600	800	1250	1267
1600	900	1250	1286
1600	1050	1250	1286
1600	1200	1250	1286
1600	1400	1250	1310



DN1	DN2	A (mm)	B (mm)
1800	300	637	1375
1800	375	674	1375
1800	450	721	1375
1800	525	766	1380
1800	600	1250	1390
1800	675	1250	1387
1800	750	1250	1387
1800	800	1250	1387
1800	900	1250	1406
1800	1050	1250	1406
1800	1200	1250	1406
1800	1400	1250	1430

- Note: 1) All junctions are made to order.
 2) Junctions are not load bearing and should be encased in a suitably designed insitu concrete surround.

Right to Change: The specifications given in this document are believed to be correct but are not guaranteed. Stanton Bonna reserve the right to alter any specifications given in accordance with its policy of continuous product development. All rights reserved.

Stanton Bonna Concrete Limited • Littlewell Lane • Stanton-By-Dale • Ilkeston • Derbyshire • DE7 4QW

T 0115 944 1448 **F** 0115 944 1466 **E** info@stanton-bonna.co.uk **W** www.stanton-bonna.co.uk