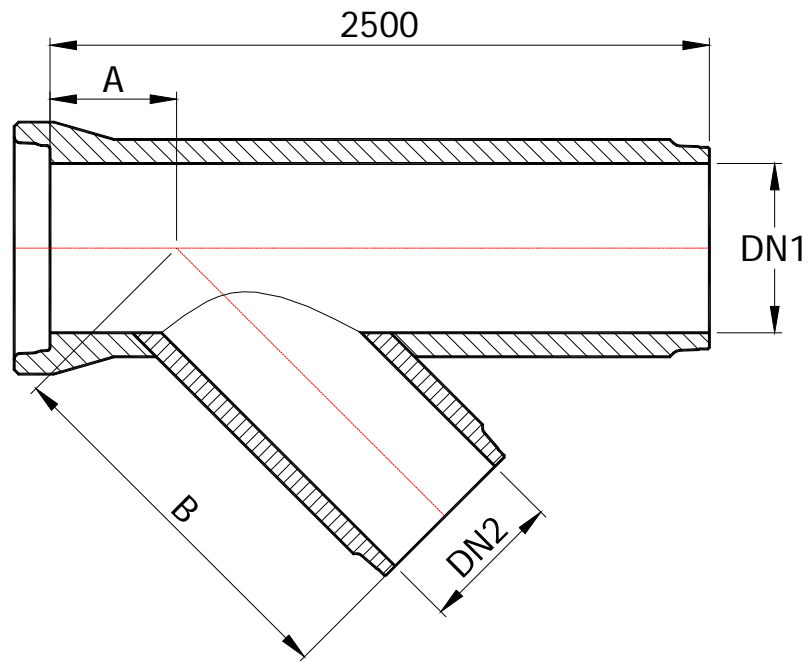


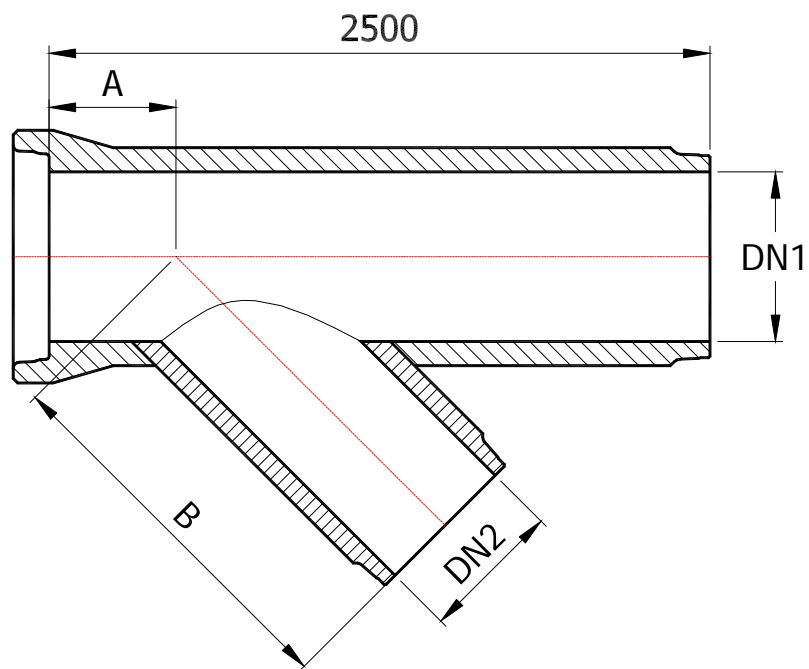
Dimensional Data for 45° Backdrop Junctions

PD 5 rev D

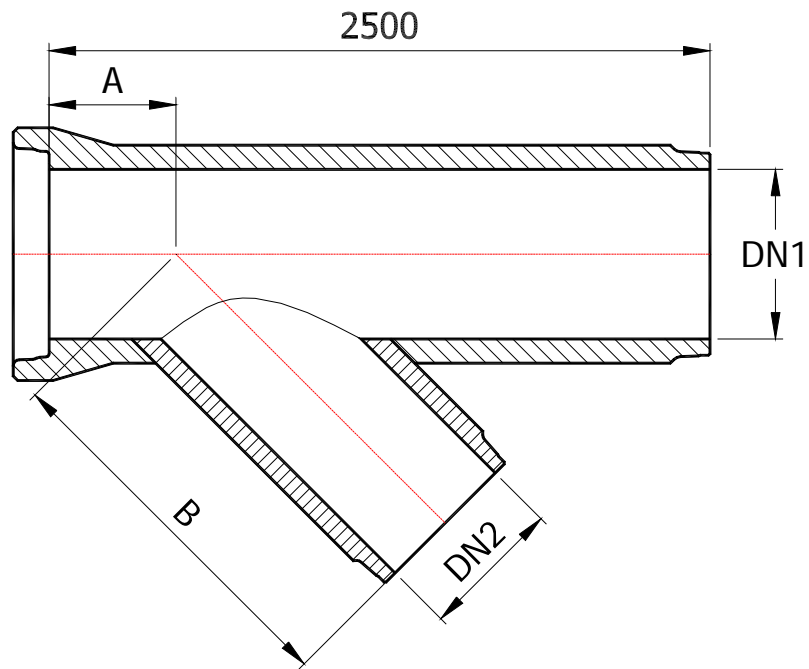
07/10/04



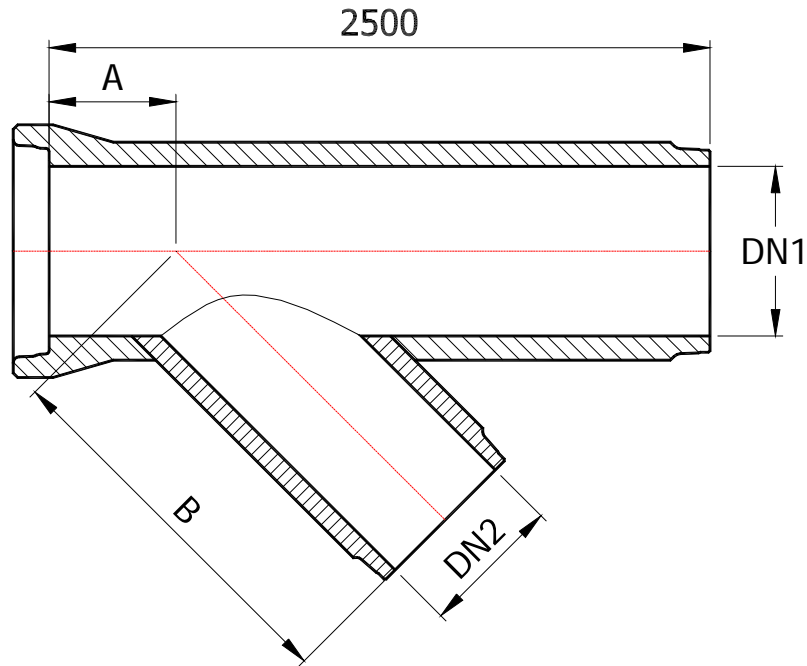
DN1	DN2	A (mm)	B (mm)
900	300	177	1326
900	375	230	1363
900	450	296	1410
900	525	361	1460
900	600	710	1520
900	675	710	1545
900	750	710	1588
900	800	710	1620
900	900	710	1692
1050	300	112	1453
1050	375	165	1490
1050	450	231	1537
1050	525	295	1587
1050	600	620	1647
1050	675	620	1672
1050	750	620	1715
1050	800	620	1747
1050	900	620	1819



DN1	DN2	A (mm)	B (mm)
1200	300	22	1580
1200	375	75	1618
1200	450	141	1664
1200	525	205	1715
1200	600	530	1774
1200	675	530	1800
1200	750	530	1842
1200	800	530	1875
1200	900	530	1946
1400	300	-18	1750
1400	375	35	1787
1400	450	101	1834
1400	525	165	1884
1400	600	410	1944
1400	675	410	1969
1400	750	410	2012
1400	800	410	2044
1400	900	410	2116



DN1	DN2	A (mm)	B (mm)
1500	300	-106	1835
1500	375	-53	1872
1500	450	13	1919
1500	525	77	1969
1500	600	350	2029
1500	675	350	2054
1500	750	350	2097
1500	800	350	2129
1500	900	350	2201
1600	300	-138	1919
1600	375	-85	1957
1600	450	-19	2003
1600	525	45	2054
1600	600	290	2113
1600	675	290	2139
1600	750	290	2181
1600	800	290	2214
1600	900	290	2285



DN1	DN2	A (mm)	B (mm)
1800	300	-258	2089
1800	375	-205	2127
1800	450	-139	2173
1800	525	-75	2224
1800	600	170	2283
1800	675	170	2309
1800	750	170	2351
1800	800	170	2384
1800	900	170	2455

- Note: 1) All junctions are made to order.
 2) Junctions are not load bearing and should be encased in a suitably designed insitu concrete surround.

Right to Change: The specifications given in this document are believed to be correct but are not guaranteed. Stanton Bonna reserve the right to alter any specifications given in accordance with its policy of continuous product development. All rights reserved.