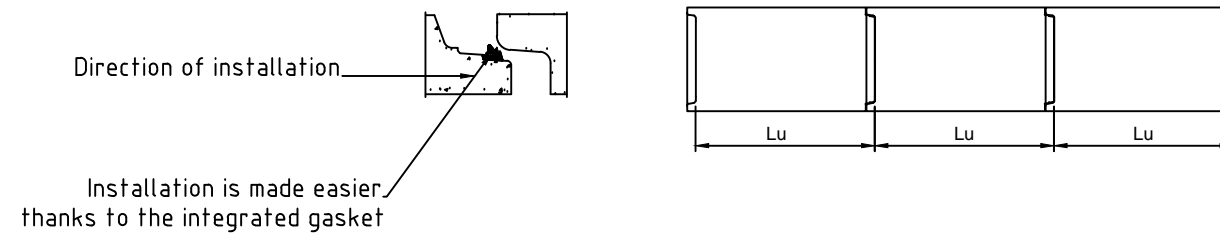
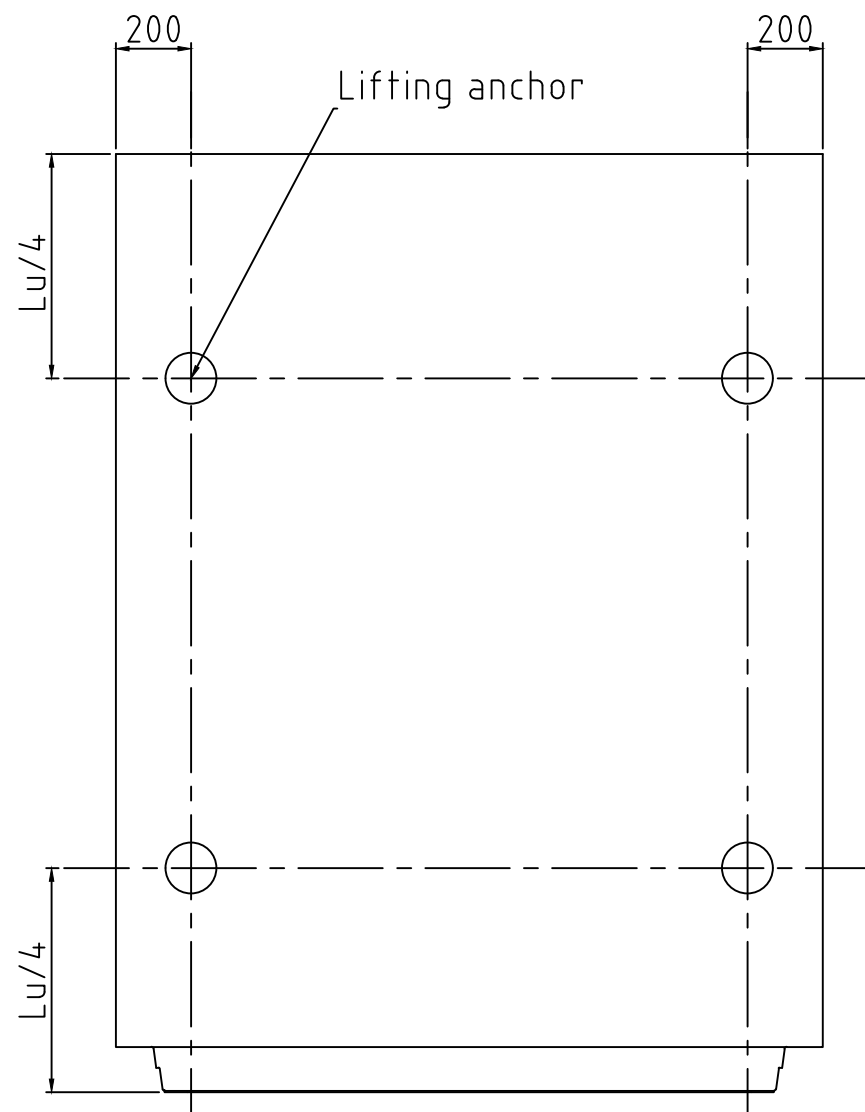
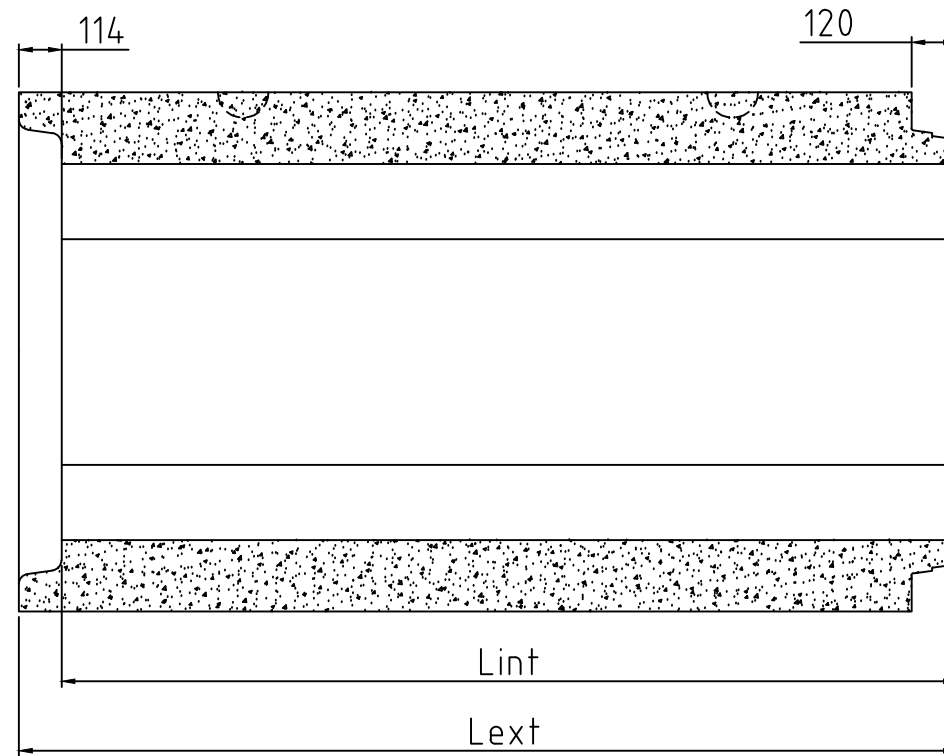
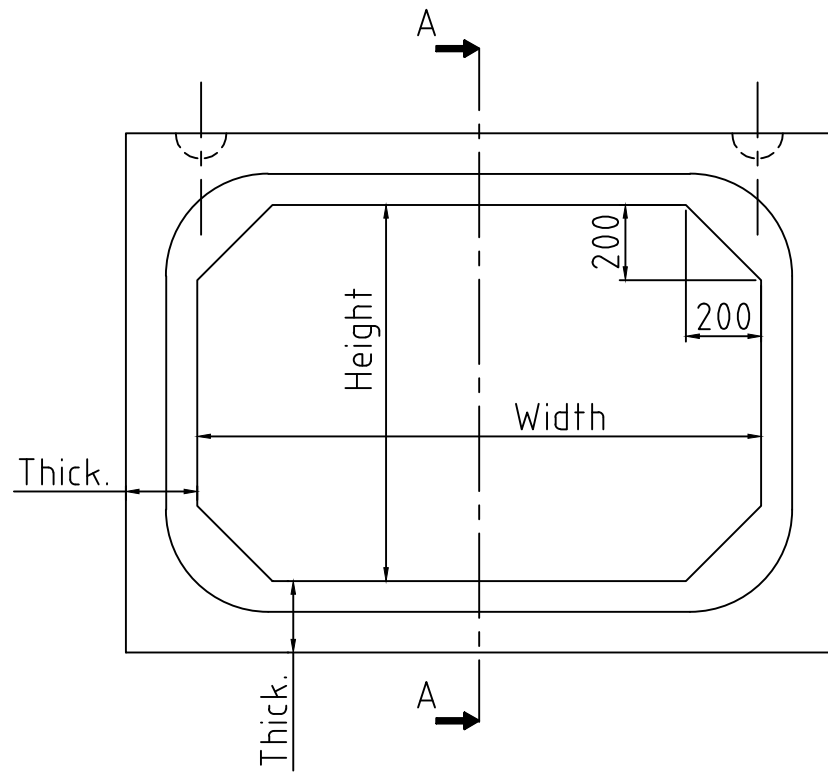


DO NOT SCALE.

Individual drawings available on request

Section A-A



Available internal dimensions	
Width	Height
1500	1000
1500	1250
1500	1500
1750	1000
1750	1500
2000	1000
2000	1250
2000	1500
2000	1750
2000	2000
2250	1000
2250	1500
2250	2000
2500	1000
2500	1250
2500	1500

Available internal dimensions	
Width	Height
2500	1750
2550	2000
2500	2250
2500	2500
2750	1000
2750	1500
2750	2000
2750	2500
3000	1000
3000	1250
3000	1500
3000	1750
3000	2000
3000	2250
3000	2500

Available lengths		
Lu	Lext	Lint
1500	1611	1496
1750	1860	1746
2000	2110	1996
2380	2490	2376

Available thicknesses
160
190
220
250

Please note that some combinations of int.dimensions / length / thickness are not available. Please refer to the website.

CUSTOMER APPROVAL

APPROVED

DATE

QUOTATION No.

ORDER No.

NOTE :-

1. Concrete class, durability class and nominal cover are defined in the calculation note.
2. The design loading is also defined in the calculation note.
3. Angle of Chain at Lifter <math><30^\circ</math> from Vertical, unit to be lifted using a Static Crane. For more details, refer to the installation instructions NT450 and NT451.
4. Position of the lifting points might be slightly adjusted to suit the reinforcement.

5. Weights for each size available can be found here.

DESCRIPTION

BOX CULVERTS

StantonBonna

DRAWN	NC
DATE	20/01/2016
CHKD	
DWG No.	CULV0001