

**T** 0115 944 1448

**F** 0115 944 1466

**E** [info@stanton-bonna.co.uk](mailto:info@stanton-bonna.co.uk)

**W** [www.stanton-bonna.co.uk](http://www.stanton-bonna.co.uk)

## Universal Junctions

An alternative to full length fixed branch junction pipes, the universal junction provides users with 3 major benefits:

### ■ Easier Installation

Quick push and twist installation of the branch pipe into the universal junction seal.

Easier to transport, handle and install because of its shorter length and reduced weight.

Allows more flexibility when positioning the branch along the pipeline.

### ■ Increased Damage Resistance

No more damage to fixed branches during storage, handling and installation.

No more branch intrusion into the main pipe during on-site branching.

The flexible universal junction seal allows for some ground movement.

### ■ Greater Flexibility

SuperSleeve DN 150 clay branches fit directly.

Densleeve DN 150 clay branches and branches in other materials can be fitted with a suitable adaptor.

The universal junction seal can accommodate either straight pipes or a full range of fittings.

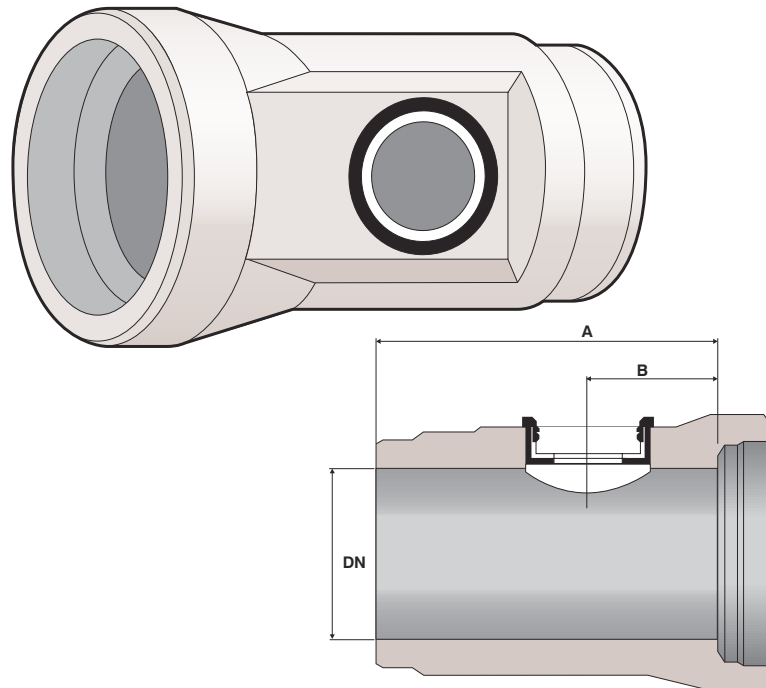
Branch pipes may be deflected up to 3° without loss of watertightness of the joint.

- The universal junction is made in accordance with, and the unit is tested for watertightness to, BS 5911 : Part 100.

- Plastic caps are available to protect and blank off the universal junction seal.

- Universal junctions are not designed as load bearing structures and should be encased in a suitably designed in-situ concrete surround.

- **Prevent axial loading of the seal by not connecting vertically or near vertically into the universal junction.**



### Universal Junction Data

Nominal Size of Main Pipe	Effective Length of Universal Junction	Distance to Seal Centre
DN	'A' mm	'B' mm
300	600	225
375	600	225
450	600	225
525	600	260
600	600	250
675	1000/2500	450
750	1000/2500	450
825	1000/2500	570
900	1000/2500	550
1050	1000/2500	550
1200	1000/2500	550
1400	1250/2500	525
1500	1250/2500	550
1600	1250/2500	505
1800	1250/2500	505
2000	2400	505
2200	2320	505
2400	2400	505

All dimensions and weights are approximate, customers should ensure that lifting equipment has sufficient capacity to allow for variations.