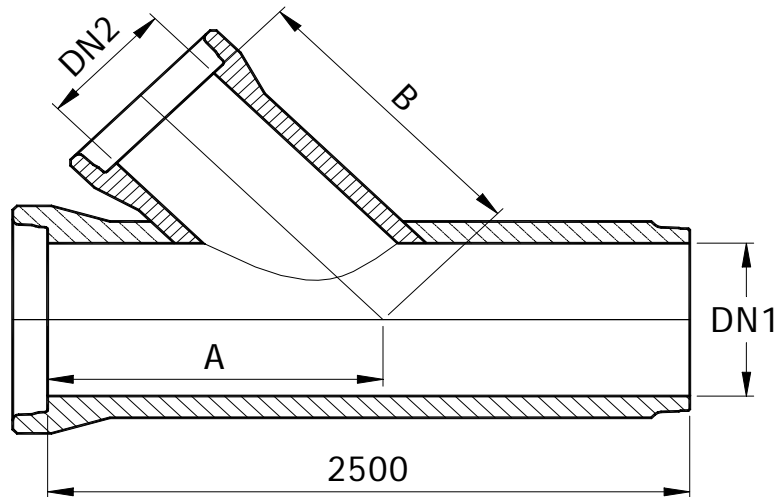


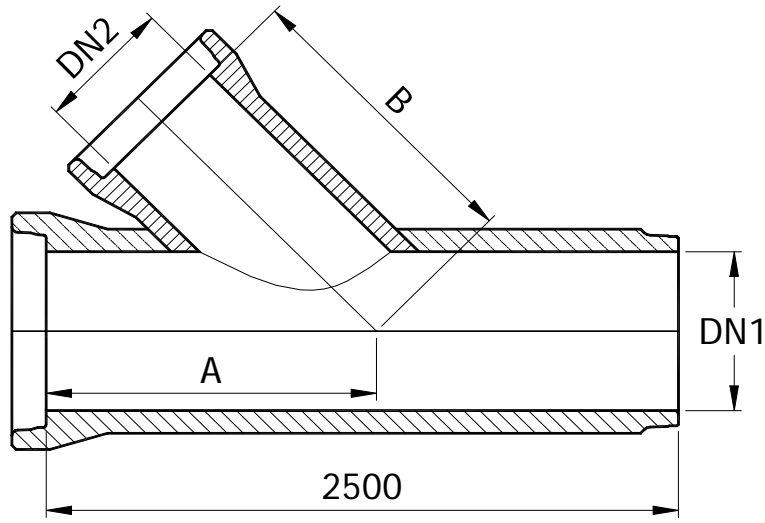
45° Standard Junctions

PD 4 rev D

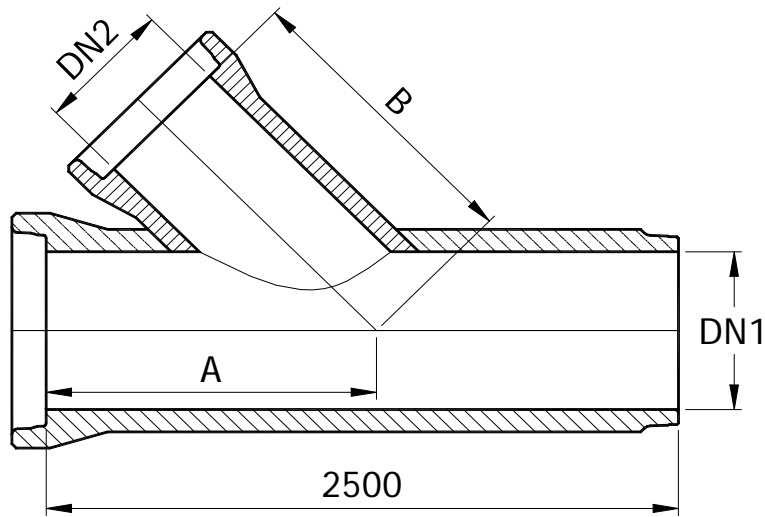
7/10/04



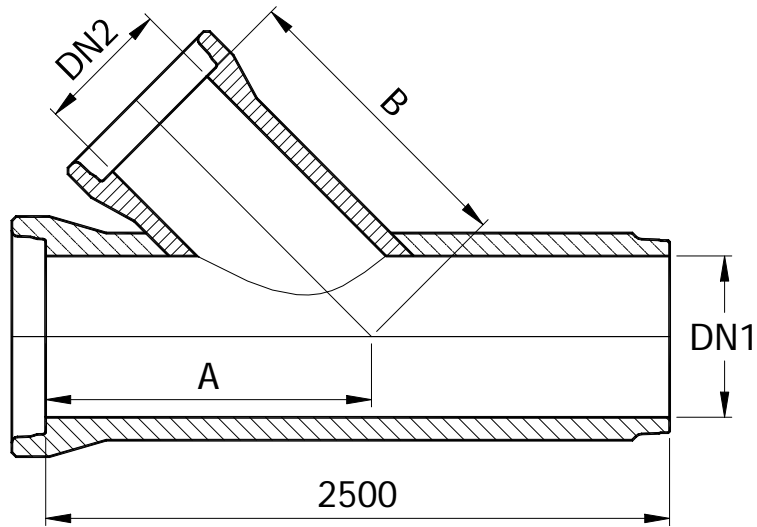
DN 1	DN2	A (mm)	B (mm)
300	300	749	684
375	300	786	737
375	375	839	774
450	300	861	802
450	375	914	840
450	450	979	914
525	300	964	867
525	375	1017	904
525	450	1083	979
525	525	1147	1082
600	300	985	937
600	375	1038	974
600	450	1104	1049
600	525	1169	1152
600	600	1634	1174



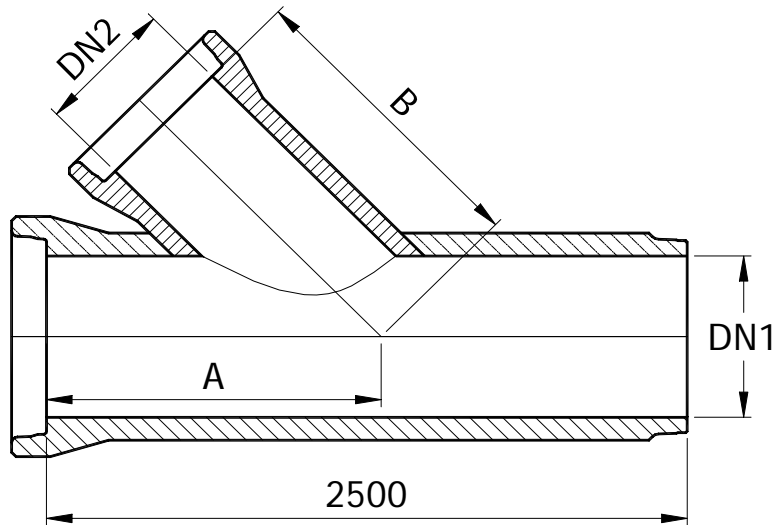
DN1	DN2	A (mm)	B (mm)
675	300	1102	977
675	375	1155	1015
675	450	1221	1089
675	525	1285	1192
675	600	1663	1214
675	675	1663	1331
750	300	1150	1037
750	375	1203	1075
750	450	1269	1149
750	525	1333	1252
750	600	1705	1274
750	675	1705	1391
750	750	1705	1439
800	300	1200	1083
800	375	1253	1121
800	450	1318	1195
800	525	1383	1298
800	600	1738	1320
800	675	1738	1437
800	750	1738	1485
800	800	1738	1534



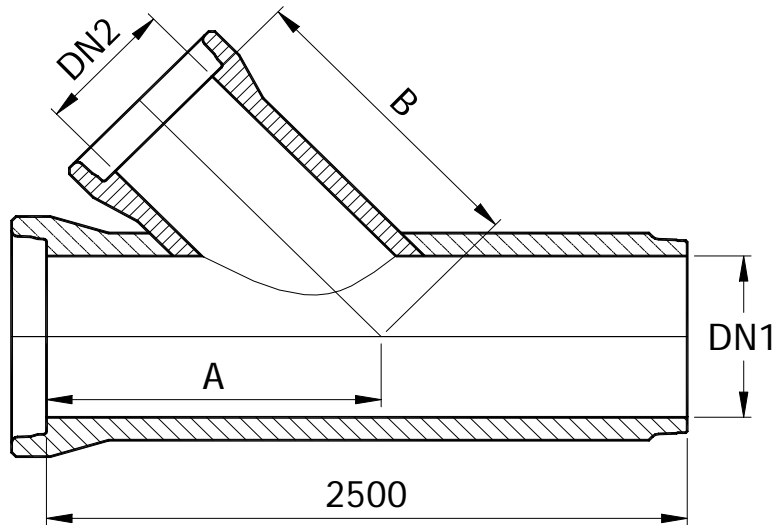
DN1	DN2	A (mm)	B (mm)
900	300	1257	1157
900	375	1310	1195
900	450	1376	1269
900	525	1441	1373
900	600	1790	1394
900	675	1790	1511
900	750	1790	1559
900	800	1790	1608
900	900	1790	1666
1050	300	1372	1285
1050	375	1425	1322
1050	450	1491	1397
1050	525	1555	1500
1050	600	1880	1521
1050	675	1880	1638
1050	750	1880	1686
1050	800	1880	1736
1050	900	1880	1793



DN1	DN2	A (mm)	B (mm)
1200	300	1462	1412
1200	375	1515	1449
1200	450	1581	1524
1200	525	1645	1627
1200	600	1970	1649
1200	675	1970	1766
1200	750	1970	1814
1200	800	1970	1863
1200	900	1970	1921
1400	300	1562	1582
1400	375	1615	1619
1400	450	1681	1694
1400	525	1745	1797
1400	600	2090	1818
1400	675	2090	1935
1400	750	2090	1983
1400	800	2090	2033
1400	900	2090	2090



DN1	DN2	A (mm)	B (mm)
1500	300	1594	1666
1500	375	1647	1704
1500	450	1713	1778
1500	525	1777	1882
1500	600	2150	1903
1500	675	2150	2020
1500	750	2150	2068
1500	800	2150	2118
1500	900	2150	2175
1600	300	1682	1754
1600	375	1735	1791
1600	450	1801	1863
1600	525	1865	1968
1600	600	2210	1988
1600	675	2210	2107
1600	750	2210	2153
1600	800	2210	2204
1600	900	2210	2260



DN1	DN2	A (mm)	B (mm)
1800	300	1802	1921
1800	375	1855	1959
1800	450	1921	2033
1800	525	1985	2136
1800	600	2330	2158
1800	675	2330	2275
1800	750	2330	2323
1800	800	2330	2372
1800	900	2330	2430

- Note: 1) All junctions are made to order.
 2) Junctions are not load bearing and should be encased in a suitably designed insitu concrete surround.

Right to Change: The specifications given in this document are believed to be correct but are not guaranteed. Stanton Bonna reserve the right to alter any specifications given in accordance with its policy of continuous product development. All rights reserved.

STANTON BONNA CONCRETE LTD, LITTLEWELL LANE, STANTON-BY-DALE, ILKESTON, DERBYS. DE7 4QW
 TEL: (0115) 944 1448 FAX: (0115) 944 1466 E-MAIL: sales@stanton-bonna.co.uk