

Cover Slab Dimensions

PD 49 rev E 28/9/04

This supersedes PD 18 rev D

The following table shows the range of cover slabs that are made and 'kitemarked' in accordance with the European and British Standards BS EN 1917 and BS 5911 PT3.

Kitemarked products in this document are shown in bold text and Non 'kitemarked' products are shown in *Italic text*.

1350 diameter Cover slabs are no longer covered by the British Standards but will still be produced by Stanton Bonna

Shaft or chamber nominal size	Opening Configuration		BS Reference
	Size mm	Location	
900	600 x 600	Central	BS EN 1917 & BS 5911-3
900	675 x 675	Central	BS EN 1917 & BS 5911-3
1050	600 x 600	Eccentric	BS EN 1917 & BS 5911-3
1050	675 x 675	Eccentric	BS EN 1917 & BS 5911-3
1050	750 x 750	Eccentric	BS EN 1917 & BS 5911-3
1200	675 x 675	Eccentric	BS EN 1917 & BS 5911-3
1200	750 x 600	Eccentric	BS EN 1917 & BS 5911-3
1500	675 x 675	Eccentric	BS 5911-3
1500	750 x 600	Eccentric	BS 5911-3
1500	1200 x 675	Central	BS 5911-3
1800, 2100 and 2400	675 x 675	Eccentric	BS 5911-3
1800, 2100 and 2400	750 x 600	Eccentric	BS 5911-3
1800, 2100 and 2400	1200 x 675	Eccentric	BS 5911-3

BASIC COVERSLAB DIMENSIONS

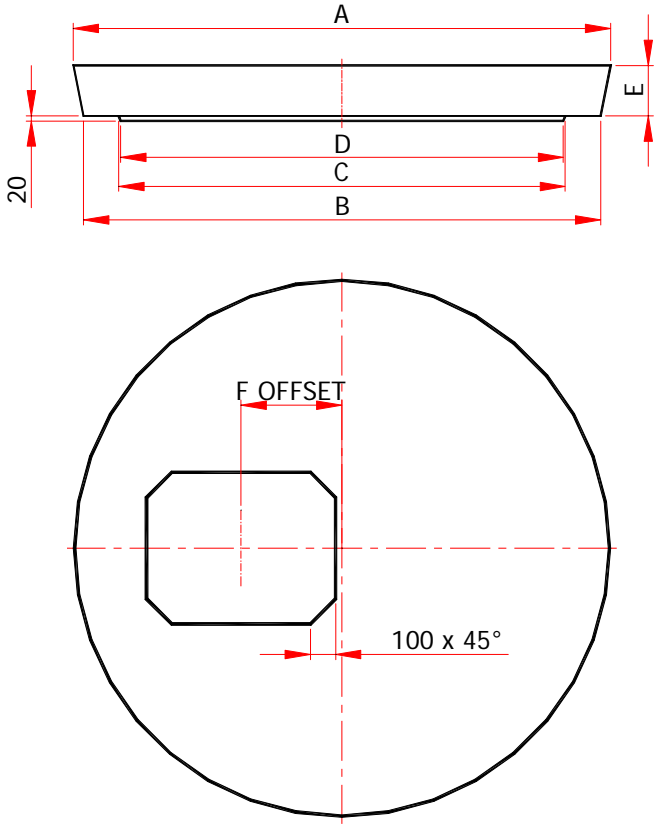


Fig 1

DN	A	B	C	D	E
900	1188	1090	875	860	135
1050	1358	1260	1025	1010	135
1200	1538	1440	1170	1155	135
1350	1607	1550	1320	1305	160
1500	1789	1732	1470	1455	160
1800	2130	2050	1770	1755	200
2100	2450	2382	2065	2050	200
2400	2780	2712	2365	2350	200

COVERSLABS WITH 600 X 750 OPENINGS

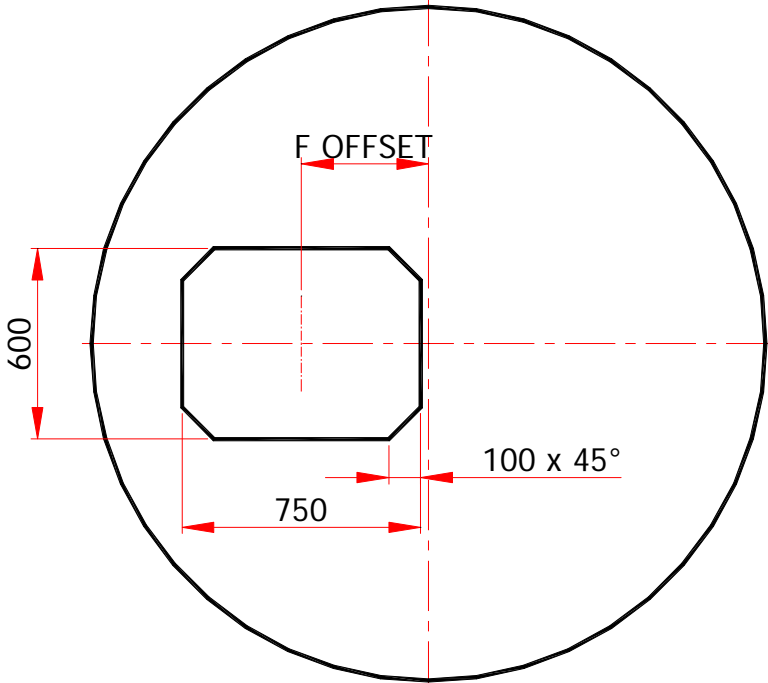


Fig 2

600 X 750 OPENING

DN	F OFFSET
<i>1050</i>	<i>CENTRAL</i>
1200	75
<i>1350</i>	<i>150</i>
1500	225
1800	375
2100	525
2400	675

NOTE: ALL OTHER DIMENSIONS ARE AS PAGE 3

COVERSLABS WITH 675 X 1200 OPENINGS

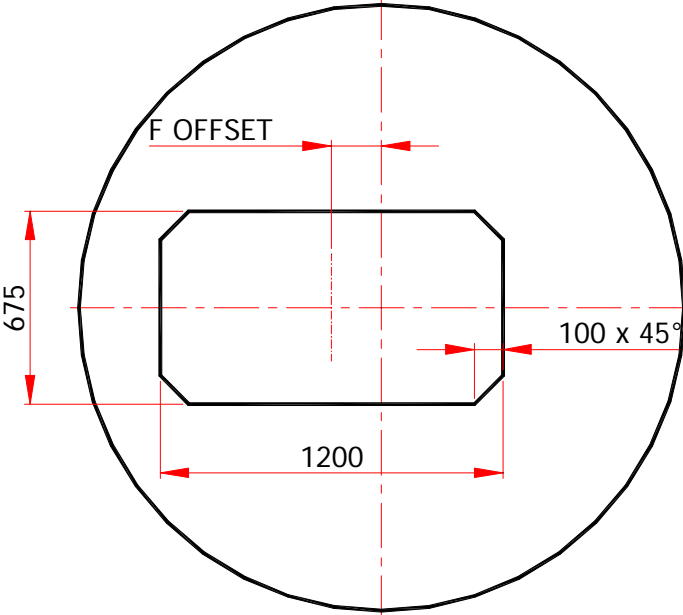


Fig 3

675 X 1200 OPENING

DN	F OFFSET
<i>1350</i>	<i>CENTRAL</i>
1500	CENTRAL
1800	150
2100	300
2400	450

NOTE: ALL OTHER DIMENSIONS ARE AS PAGE 3

COVERSLABS WITH 600 AND 675 SQ OPENINGS

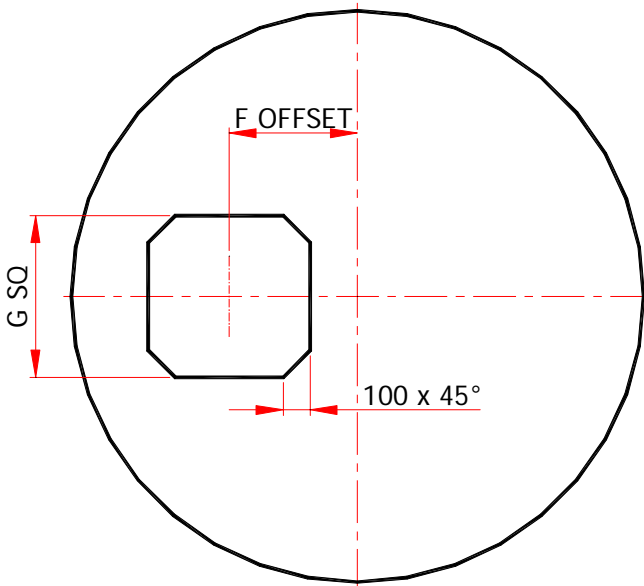


Fig 4

600 SQ OPENING			675 SQ OPENING		
DN	F OFFSET	G	DN	F OFFSET	G
900	CENTRAL	600	900	CENTRAL	600
1050	75	600	1050	25	675
1200	150	600	1200	100	675
1350	225	600	1350	175	675
1500	300	600	1500	250	675
1800	450	600	1800	400	675
2100	600	600	2100	550	675
2400	750	600	2400	700	675

NOTE: ALL OTHER DIMENSIONS ARE AS PAGE 3

COVERSLABS WITH 750 SQ AND 900 SQ OPENINGS

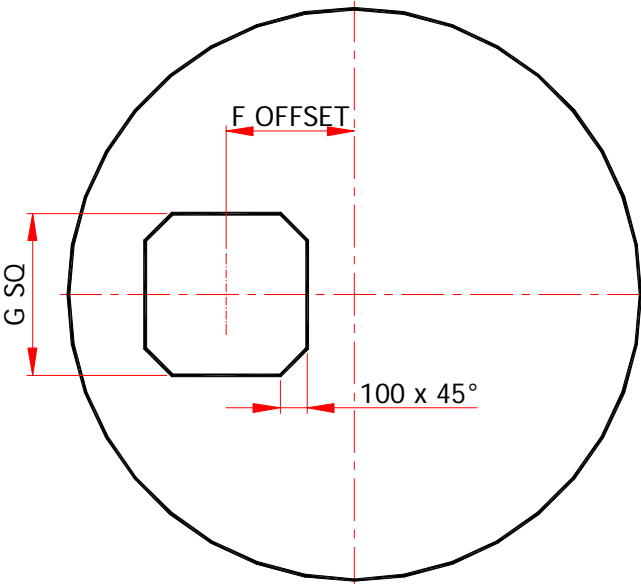


Fig 4

750 SQ OPENING			900 SQ OPENING		
DN	F OFFSET	G	DN	F OFFSET	G
1050	CENTRAL	750	<i>1350</i>	<i>CENTRAL</i>	<i>900</i>
<i>1200</i>	<i>50</i>	<i>750</i>	<i>1500</i>	<i>75</i>	<i>900</i>
<i>1350</i>	<i>125</i>	<i>750</i>	<i>1800</i>	<i>225</i>	<i>900</i>
<i>1500</i>	<i>200</i>	<i>750</i>	<i>2100</i>	<i>375</i>	<i>900</i>
<i>1800</i>	<i>350</i>	<i>750</i>	<i>2400</i>	<i>525</i>	<i>900</i>
<i>2100</i>	<i>500</i>	<i>750</i>			
<i>2400</i>	<i>650</i>	<i>750</i>			

NOTE: ALL OTHER DIMENSIONS ARE AS PAGE 3

COVERSLABS WITH 600 X 900 OPENINGS

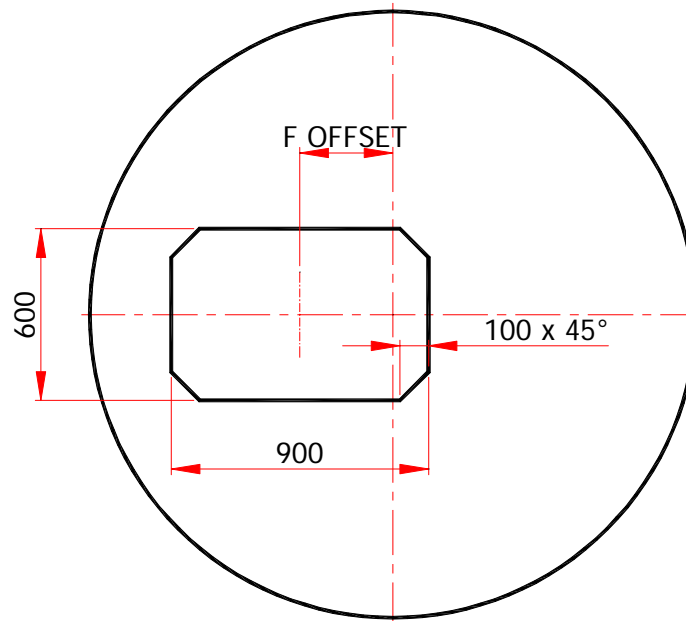


Fig 5

600 X 900 OPENING

DN	F OFFSET
1200	CENTRAL
1350	75
1500	150
1800	300
2100	450
2400	600

NOTE: ALL OTHER DIMENSIONS ARE AS PAGE 3

Right to Change: The specifications given in this document are believed to be correct but are not guaranteed. Stanton Bonna reserve the right to alter any specifications given in accordance with its policy of continuous product development. All rights reserved.

STANTON BONNA CONCRETE LTD, LITTLEWELL LANE, STANTON-BY-DALE, ILKESTON, DERBYS. DE7 4QW
 TEL: (0115) 944 1448 FAX: (0115) 944 1466 E-MAIL: sales@stanton-bonna.co.uk