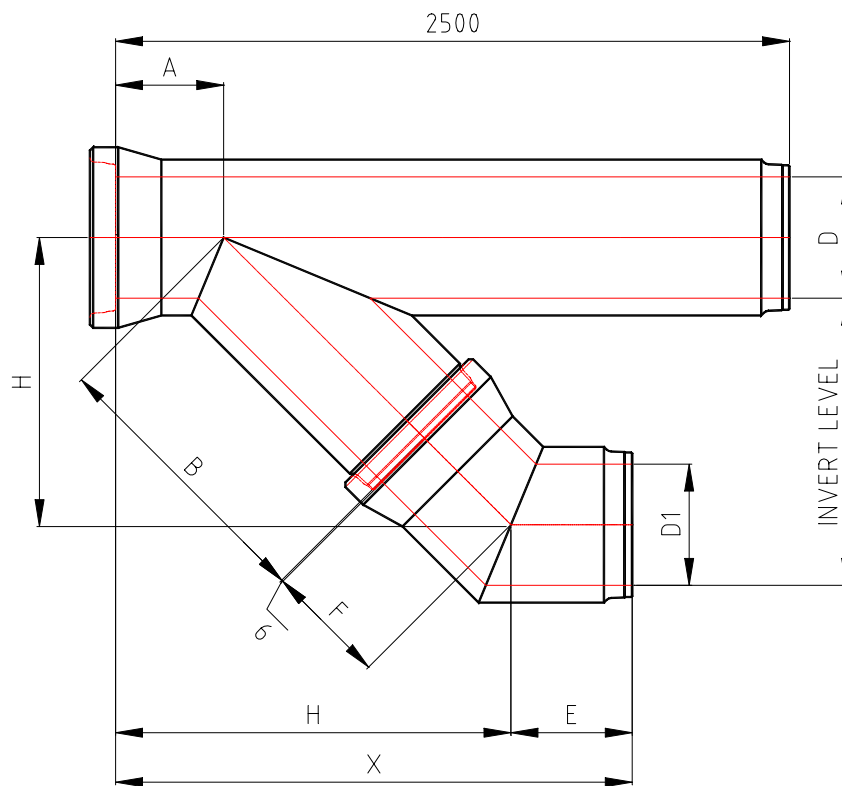


Details of Vi-King 45° Backdrop Junction Invert Levels

PD 24 rev C

8/10/04



NOTE

1. 45° bends are in accordance with PD6. Junctions are in accordance with PD5.
2. Junctions and bends are not designed as load bearing structures and should be encased in a suitably designed in-situ concrete surround.
3. Diameter D is the nominal diameter of the main pipe.

D	D1	A	B	E	F	H	X	INVERT LEVEL
300	300	339	852	300	300	819	1119	819
375	300	301	905	300	300	856	1156	819
375	375	354	942	300	300	882	1182	882
450	300	283	971	300	300	903	1203	828
450	375	336	1008	300	300	929	1229	892
450	450	401	1055	450	450	1068	1518	1068
525	300	295	1035	300	300	948	1248	836
525	375	348	1073	300	300	975	1275	900
525	450	414	1119	450	450	1114	1564	1076
525	525	478	1170	450	450	1150	1600	1150
600	300	217	1105	300	300	998	1298	848
600	375	270	1143	300	300	1025	1325	912
600	450	336	1189	450	450	1163	1613	1088
600	525	401	1240	450	450	1199	1649	1162
600	600	866	1299	450	450	1241	1691	1241
675	300	277	1145	300	300	1026	1326	839
675	375	330	1183	300	300	1053	1353	903
675	450	396	1229	450	450	1191	1641	1079
675	525	460	1280	450	450	1228	1678	1153
675	600	838	1339	450	450	1269	1719	1232
675	675	838	1365	423	577	1377	1800	1377
750	300	240	1205	300	300	1068	1368	843
750	375	293	1243	300	300	1095	1395	908
750	450	359	1289	450	450	1234	1684	1084
750	525	423	1340	450	450	1270	1720	1157
750	600	795	1399	450	450	1312	1762	1237
750	675	795	1425	423	577	1420	1843	1382
750	750	795	1467	423	577	1450	1873	1450

D	D1	A	B	E	F	H	X	INVERT LEVEL
800	300	225	1251	300	300	1101	1401	848
800	375	278	1289	300	300	1128	1428	913
800	450	343	1335	450	450	1266	1716	1089
800	525	408	1386	450	450	1302	1752	1162
800	600	763	1445	450	450	1344	1794	1242
800	675	763	1471	423	577	1452	1875	1387
800	750	763	1513	423	577	1482	1905	1455
800	825	763	1546	400	600	1522	1922	1522
900	300	177	1326	300	300	1154	1454	854
900	375	230	1363	300	300	1180	1480	918
900	450	296	1410	450	450	1319	1769	1094
900	525	361	1460	450	450	1355	1805	1167
900	600	710	1520	450	450	1397	1847	1247
900	675	710	1545	423	577	1505	1928	1392
900	750	710	1588	423	577	1535	1958	1460
900	825	710	1620	400	600	1574	1974	1527
900	900	710	1692	400	600	1625	2025	1625
1050	300	112	1453	300	300	1244	1544	869
1050	375	165	1490	300	300	1270	1570	932
1050	450	231	1537	450	450	1409	1859	1109
1050	525	295	1587	450	450	1445	1895	1182
1050	600	620	1647	450	450	1487	1937	1262
1050	675	620	1672	423	577	1595	2018	1407
1050	750	620	1715	423	577	1625	2048	1475
1050	825	620	1747	400	600	1664	2064	1541
1050	900	620	1819	400	600	1715	2115	1640

D	D1	A	B	E	F	H	X	INVERT LEVEL
1200	300	22	1580	300	300	1334	1634	884
1200	375	75	1618	300	300	1360	1660	948
1200	450	141	1664	450	450	1499	1949	1124
1200	525	205	1715	450	450	1535	1985	1198
1200	600	530	1774	450	450	1577	2027	1277
1200	675	530	1800	423	577	1685	2108	1423
1200	750	530	1842	423	577	1715	2138	1490
1200	825	530	1875	400	600	1754	2154	1557
1200	900	530	1946	400	600	1805	2205	1655
1400	300	-18	1750	300	300	1454	1754	914
1400	375	35	1787	300	300	1480	1780	977
1400	450	101	1834	450	450	1619	2069	1154
1400	525	165	1884	450	450	1655	2105	1227
1400	600	410	1944	450	450	1697	2147	1307
1400	675	410	1969	423	577	1805	2228	1452
1400	750	410	2012	423	577	1835	2258	1520
1400	825	410	2044	400	600	1874	2274	1586
1400	900	410	2116	400	600	1925	2325	1685
1500	300	-106	1835	300	300	1514	1814	914
1500	375	-53	1872	300	300	1540	1840	978
1500	450	13	1919	450	450	1679	2129	1154
1500	525	77	1969	450	450	1715	2165	1227
1500	600	350	2029	450	450	1757	2207	1307
1500	675	350	2054	423	577	1865	2288	1452
1500	750	350	2097	423	577	1895	2318	1520
1500	825	350	2129	400	600	1934	2334	1586
1500	900	350	2201	400	600	1985	2385	1685

D	D1	A	B	E	F	H	X	INVERT LEVEL
1600	300	-138	1919	300	300	1573	1873	923
1600	375	-85	1957	300	300	1600	1900	988
1600	450	-19	2003	450	450	1739	2189	1164
1600	525	45	2054	450	450	1775	2225	1237
1600	600	290	2113	450	450	1817	2267	1317
1600	675	290	2139	423	577	1925	2348	1462
1600	750	290	2181	423	577	1954	2377	1529
1600	825	290	2214	400	600	1994	2394	1597
1600	900	290	2285	400	600	2044	2444	1694
1800	300	-258	2089	300	300	1694	1994	994
1800	375	-205	2127	300	300	1720	2020	1008
1800	450	-139	2173	450	450	1859	2309	1184
1800	525	-75	2224	450	450	1895	2345	1258
1800	600	170	2283	450	450	1937	2387	1337
1800	675	170	2309	423	577	2045	2468	1482
1800	750	170	2351	423	577	2075	2498	1550
1800	825	170	2384	400	600	2114	2514	1617
1800	900	170	2455	400	600	2164	2564	1714

Right to Change: The specifications given in this document are believed to be correct but are not guaranteed. Stanton Bonna reserve the right to alter any specifications given in accordance with its policy of continuous product development. All rights reserved.

STANTON BONNA CONCRETE LTD, LITTLEWELL LANE, STANTON-BY-DALE, ILKESTON, DERBYS. DE7 4QW
 TEL: (0115) 944 1448 FAX: (0115) 944 1466 E-MAIL: sales@stanton-
 bonna.co.uk