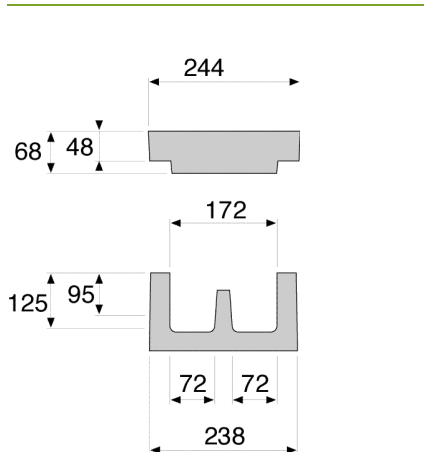


**T** 0115 944 1448  
**F** 0115 944 1466  
**E** info@stanton-bonna.co.uk  
**W** www.stanton-bonna.co.uk

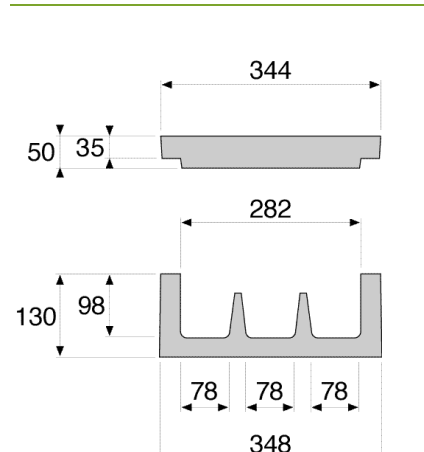
# Cable Troughs – Multi-compartment

Precast concrete cable troughs for railway and highway applications.

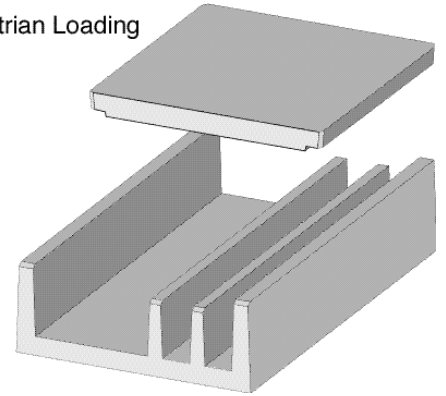
■ 172/ 2 x 95



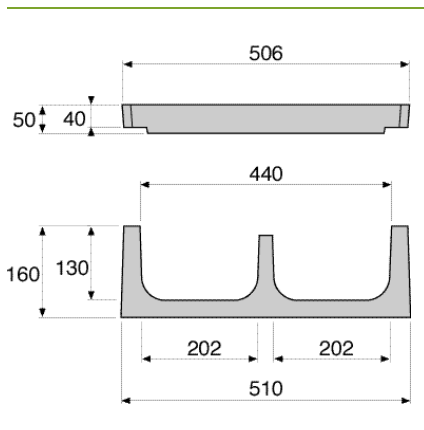
■ 282/ 3 x 98



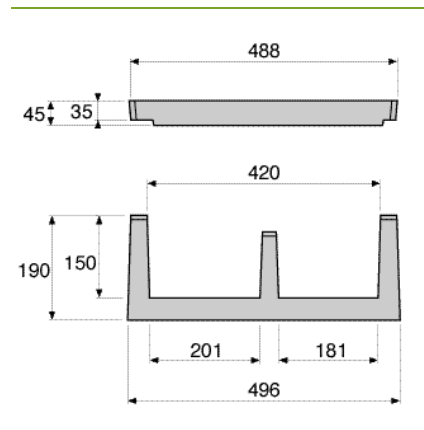
Pedestrian Loading



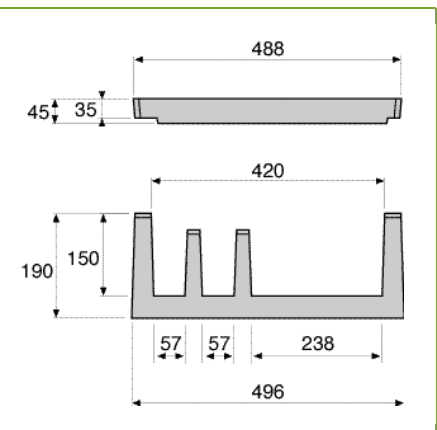
■ 440/ 2 x 130



■ 420/ 2 x 150



■ 420/ 3 x 150



Cable Troughs Data			
Type	Component	Length m	Weight kg
172/ 2 x 95 69 kg/m	Cover	1.00	35
	Trough	1.00	34
282/ 3 x 98 86 kg/m	Cover	1.00	39
	Trough	1.00	47
440/ 2 x 130 123 kg/m	Cover	1.00	53
	Trough	1.00	70
420/ 2 x 150 127 kg/m	Cover	0.50	23
	Trough	1.00	81
420/ 3 x 150 134 kg/m	Cover	0.50	23
	Trough	1.00	88

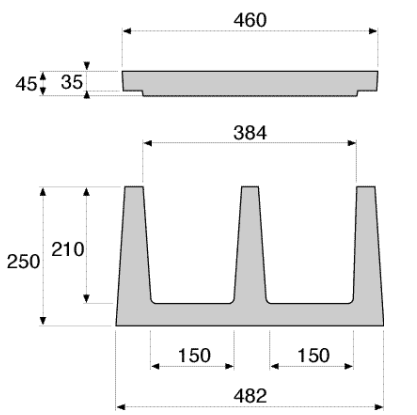
Other sizes are available upon request.

**T** 0115 944 1448  
**F** 0115 944 1466  
**E** info@stanton-bonna.co.uk  
**W** www.stanton-bonna.co.uk

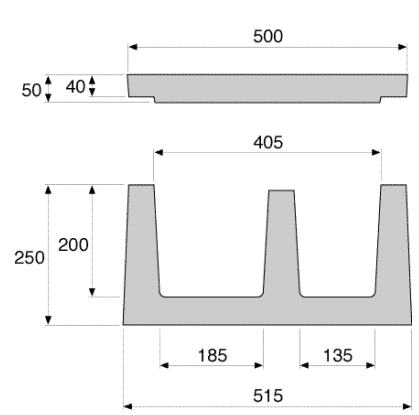
# Cable Troughs – Multi-compartment

Precast concrete cable troughs for railway and highway applications.

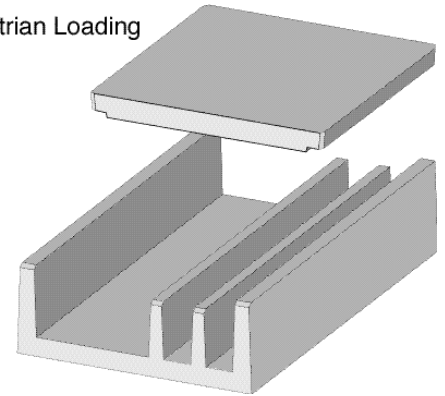
## ■ 384/ 2 x 210



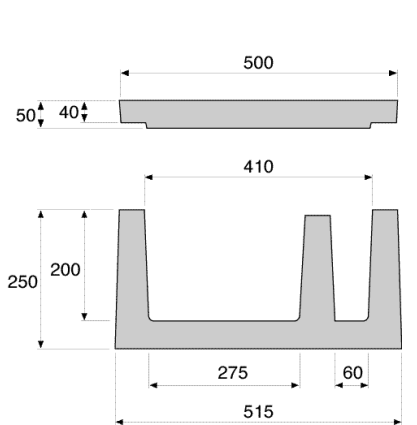
## ■ 405/ 2 x 200



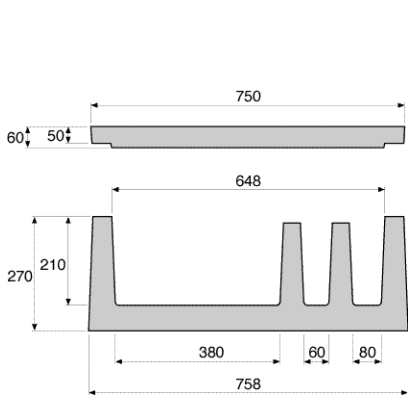
Pedestrian Loading



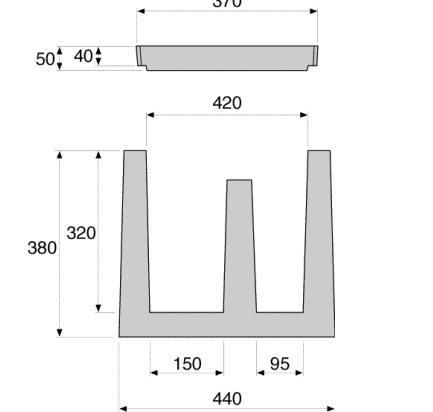
## ■ 410/ 2 x 200



## ■ 648/ 3 x 210



## ■ 420/ 2 x 320



Cable Troughs Data			
Type	Component	Length m	Weight kg
384/ 2 x 210	Cover	1.00	48
	Trough	1.00	115
405/ 2 x 200	Cover	1.00	60
	Trough	1.00	140
410/ 2 x 200	Cover	1.00	60
	Trough	1.00	140
648/ 3 x 210	Cover	0.50	53
	Trough	1.00	208
420/ 2 x 320	Cover	0.50	22
	Trough	0.50	93

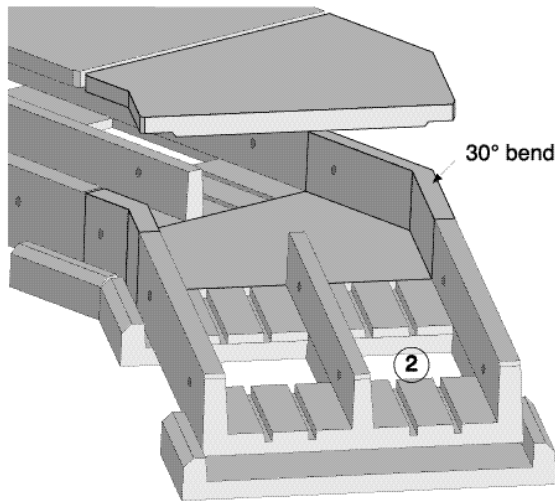
Other sizes are available upon request.

**T** 0115 944 1448  
**F** 0115 944 1466  
**E** info@stanton-bonna.co.uk  
**W** www.stanton-bonna.co.uk

# Cable Troughs – Multi-compartment

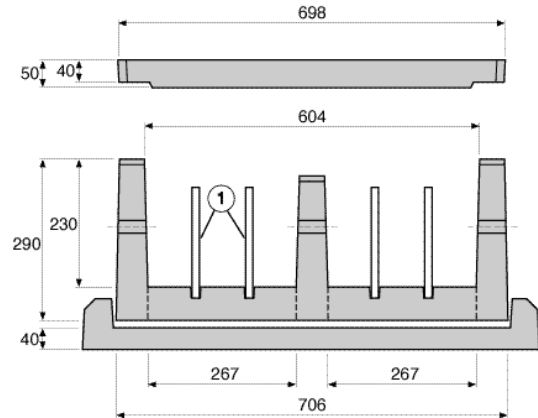
Precast concrete cable troughs for railway and highway applications.

## Pedestrian Loading

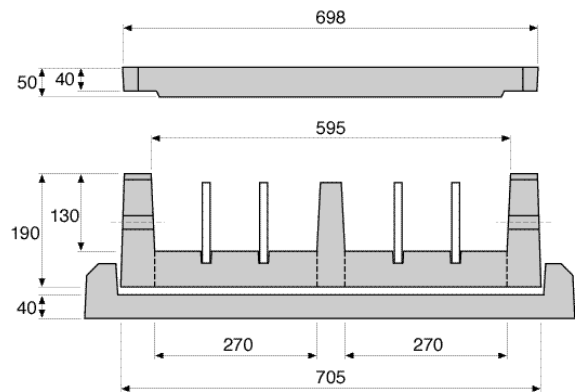


- ① Compartment dividers available on request.
- ② Blanking plate available with 595/ 2 x 130.

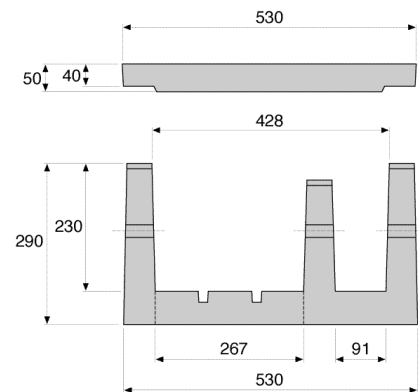
### 604/ 2 x 230



### 595/ 2 x 130



### 428/ 2 x 230



Cable Troughs Data			
Type	Component	Length m	Weight kg
604/ 2 x 230 261 kg/m	Cover	0.33	27
	Trough	1.00	153
	Base	0.30	27
30° Bend 127 kg/m	Cover	–	43
	Base	–	84
595/ 2 x 130 228 kg/m	Cover	0.33	27
	Trough	1.00	120
	Base	0.30	27
30° Bend 117 kg/m	Cover	–	43
	Base	–	71
428/ 2 x 230 191 kg/m	Cover	0.33	20
	Trough	1.00	131

Other sizes are available upon request.