

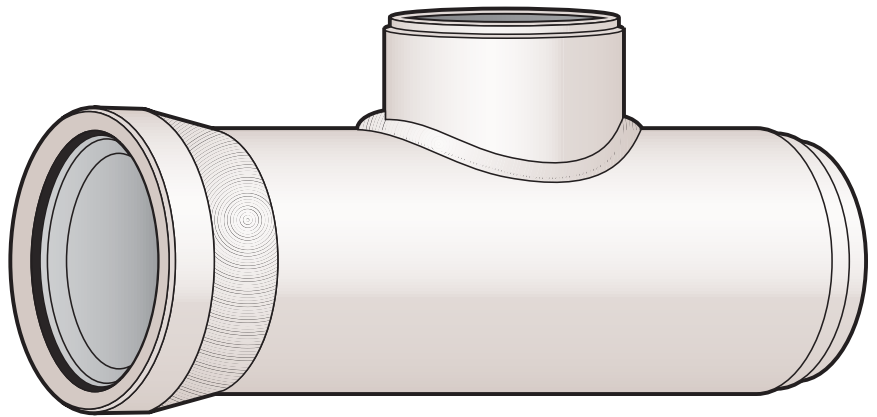
T 0115 944 1448

F 0115 944 1466

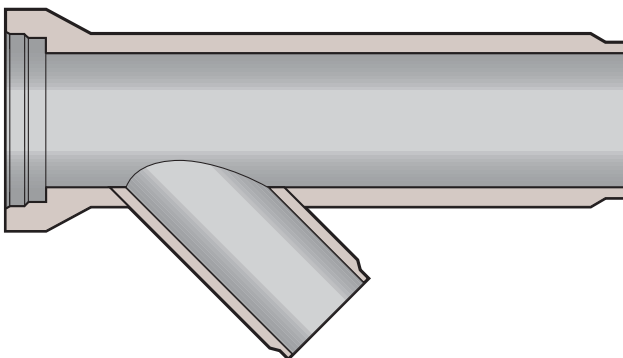
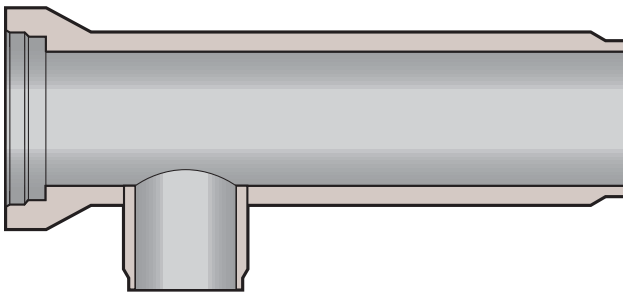
E [info@stanton-bonna.co.uk](mailto:info@stanton-bonna.co.uk)W [www.stanton-bonna.co.uk](http://www.stanton-bonna.co.uk)

## Fixed Branch Junctions

- Fixed branch junctions are provided with DN 100, 150 and 225 Densleeve clay branches to BS EN 295 or with concrete socket or spigot branches for DN 300 and above.
- Branches are fitted to full length pipes using cementitious or resin mortars.
- Full dimension details of junctions and backdrop junctions are available on request.
- Fixed branch junctions are not designed as load bearing structures and should be encased in a suitably designed in-situ concrete surround.

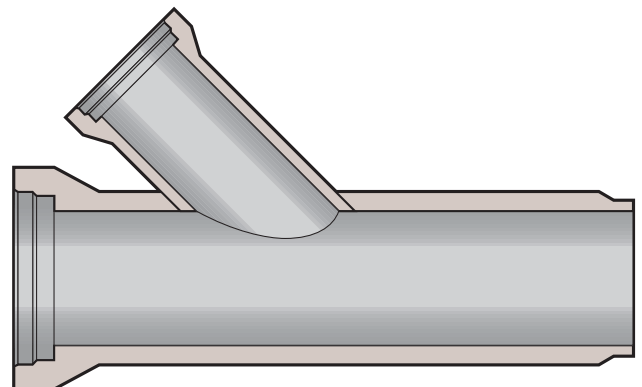
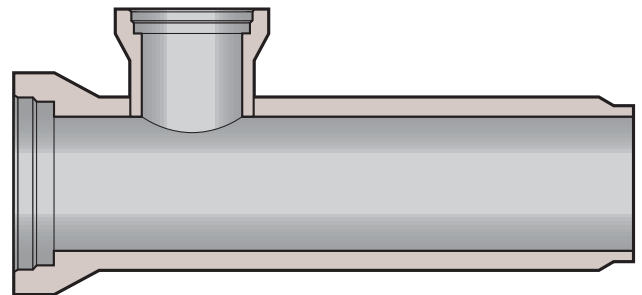


### 90° Backdrop Junction



### 45° Backdrop Junction

### 90° Junction



### 45° Junction